

## Excellent Integrated System Limited

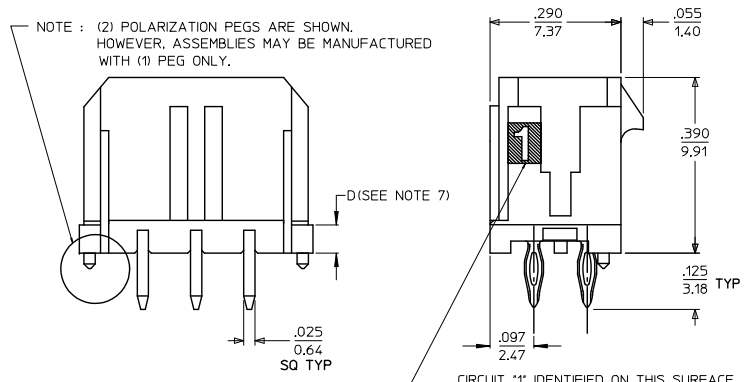
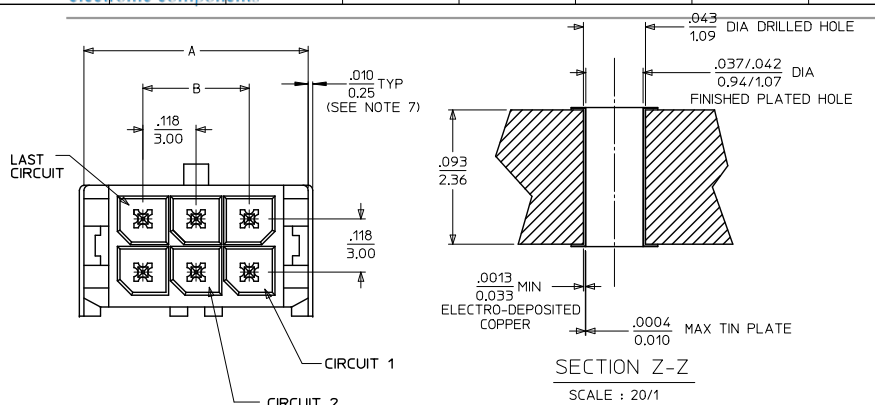
Stocking Distributor

Click to view price, real time Inventory, Delivery & Lifecycle Information:

[Molex Connector Corporation](#)  
[0449145803](#)

For any questions, you can email us directly:

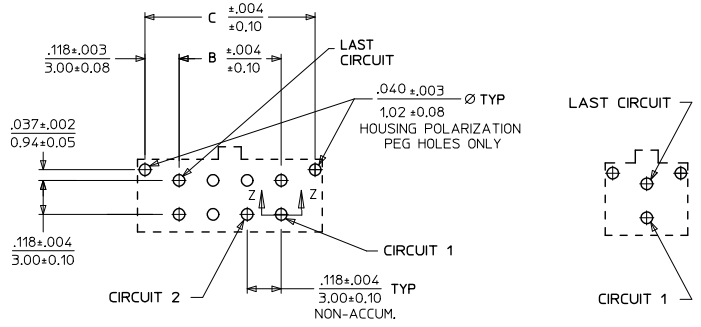
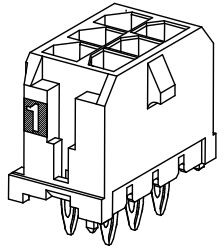
[sales@integrated-circuit.com](mailto:sales@integrated-circuit.com)



- NOTES:**
- HOUSING MATERIAL: GLASS FILLED LIQUID CRYSTAL POLYMER, UL94V-0, COLOR: BLACK
  - TERMINAL MATERIAL: MODIFIED TIN/BRASS ALLOY
  - FINISH: A = .000200/(0.0051) MIN. TIN OVER .000050/(0.0013) MIN. NICKEL PLATE.  
 B = .00015/(0.00038) MINIMUM GOLD IN SELECTIVE AREA, .000100/(0.00254) MINIMUM MATTE TIN ON PCB TAILS, BOTH OVER .000050/(0.00127) MINIMUM NICKEL PLATE.  
 C = .000030/(0.00076) MINIMUM GOLD IN SELECTIVE AREA, .000100/(0.00254) MINIMUM MATTE TIN ON PCB TAILS, BOTH OVER .000050/(0.00127) MINIMUM NICKEL PLATE.
  - PRODUCT SPECIFICATION: PS-43045
  - TRAY PACKAGED: SEE MOLEX DRAWING PK-70873-0314
  - MATES WITH MICRO FIT (3.0) RECEPTACLE SERIES 43025
  - HEADER INSTALLATION REQUIRES A MINIMUM FORCE OF 24LBS/(107 N) PER CIRCUIT DISTRIBUTED EQUALLY ACROSS THE ENTIRE HOUSING SURFACE.
  - CIRCUIT SIZES 2-6: 'D' IS 0.265/6.74 FOR .010/0.25 STEP. CIRCUIT SIZES 8-24: 'D' IS 0.063/1.60 FOR .010/0.25 STEP.
  - THIS PART CONFORMS TO CLASS B REQUIREMENTS OF COSMETIC SPECIFICATION PS-45499-002.

CKTS	FINISH: A			FINISH: B			FINISH: C		
	MATERIAL NO:	MATERIAL NO:	MATERIAL NO:	MATERIAL NO:	MATERIAL NO:	MATERIAL NO:	MATERIAL NO:	MATERIAL NO:	
02	44914-0201	44914-5202	44914-5203						
04	44914-0401	44914-5402	44914-5403						
06	44914-0601	44914-5602	44914-5603						
08	44914-0801	44914-5802	44914-5803						
10	44914-1001	44914-6002	44914-6003						
12	44914-1201	44914-6202	44914-6203						
14	44914-1401	44914-6402	44914-6403						
16	44914-1601	44914-6602	44914-6603						
18	44914-1801	44914-6802	44914-6803						
20	44914-2001	44914-7002	44914-7003						
22	44914-2201	44914-7202	44914-7203						
24	44914-2401	44914-7402	44914-7403						

CKTS	FINISH: A			FINISH: B			FINISH: C		
	MATERIAL NO:	MATERIAL NO:	MATERIAL NO:	MATERIAL NO:	MATERIAL NO:	MATERIAL NO:	MATERIAL NO:	MATERIAL NO:	
02	.262	NA	.236						
04	.380	.118	.354						
06	9.65	3.00	9.00						
08	.498	.236	.472						
10	12.65	6.00	12.00						
12	.616	.354	.591						
14	15.65	9.00	15.00						
16	.734	.472	.709						
18	18.65	12.00	18.00						
20	.852	.591	.827						
22	21.65	15.00	21.00						
24	.970	.709	.945						
	24.65	18.00	24.00						
	1.206	.945	1.181						
	30.65	24.00	30.00						
	1.088	.827	1.063						
	33.65	27.00	33.00						
	1.443	1.181	1.417						
	36.65	30.00	36.00						
	1.561	1.299	1.535						
	39.65	33.00	39.00						



PCB LAYOUT: COMPONENT SIDE  
RECOMMEND PCB THICKNESS: .093/2.36

PCB LAYOUT: 2 CKT HEADER

ADD TIN P/NS	REV	DESCRIPTION	QUALITY SYMBOLS	GENERAL TOLERANCES (UNLESS SPECIFIED)		DIMENSION STYLE		SCALE	DESIGN UNITS	THIRD ANGLE PROJECTION	
				mm	INCH	IN/MM	DATE				
4 PLACES ±---			▽=0			DRAWN BY	DATE	---	METRIC	MICRO FIT HEADER VERTICAL COMPLIANT PIN TRAY PACKED, LEAD-FREE	
3 PLACES ±---			▽=0			SOUSEK	2005/04/27				
2 PLACES ±0.25			▽=0			CHECKED BY	DATE	MATERIAL NO. SD-44914-002 DOCUMENT NO. SD-44914-002			
1 PLACE ±0.36			▽=0			SOUSEK	2005/04/28				
0 PLACE ±			▽=0			APPROVED BY	DATE	SHEET NO. 1 OF 1			
			▽=0			SMITH	2005/04/28				
ANGULAR ±1/2°				MATERIAL NO. SEE CHART				DOCUMENT NO. SD-44914-002			
DRAFT WHERE APPLICABLE MUST REMAIN WITHIN DIMENSIONS				SIZE C				THIS DRAWING CONTAINS INFORMATION THAT IS PROPRIETARY TO MOLEX INCORPORATED AND SHOULD NOT BE USED WITHOUT WRITTEN PERMISSION			