

Excellent Integrated System Limited

Stocking Distributor

Click to view price, real time Inventory, Delivery & Lifecycle Information:

[Diodes Incorporated](#)
[BCX41TA](#)

For any questions, you can email us directly:

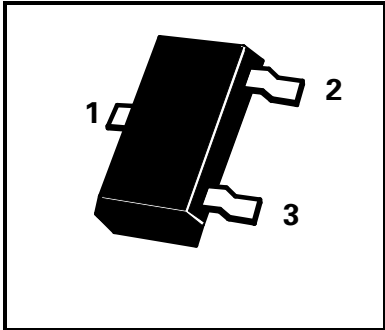
sales@integrated-circuit.com

SOT23 NPN SILICON PLANAR MEDIUM POWER TRANSISTOR

ISSUE 3 –OCTOBER 1995 

BCX41

PARTMARKING DETAIL – EK



ABSOLUTE MAXIMUM RATINGS.

PARAMETER	SYMBOL	VALUE	UNIT
Collector-Emitter Voltage	V_{CES}	125	V
Collector-Emitter Voltage	V_{CEO}	125	V
Emitter-Base Voltage	V_{EBO}	5	V
Peak Pulse Current	I_{CM}	1	A
Continuous Collector Current	I_C	800	mA
Base Current	I_B	100	mA
Power Dissipation at $T_{amb}=25^{\circ}C$	P_{TOT}	330	mW
Operating and Storage Temperature Range	$T_j:T_{stg}$	-55 to +150	$^{\circ}C$

ELECTRICAL CHARACTERISTICS (at $T_{amb} = 25^{\circ}C$ unless otherwise stated).

PARAMETER	SYMBOL	MIN.	TYP.	MAX.	UNIT	CONDITIONS.
Collector-Base Cut-Off Current	I_{CES}			100 10	nA μA	$V_{CE}=100V$ $V_{CE}=100V, T_{amb}=150^{\circ}C$
Collector Cut-Off Current	I_{CEX}			10 75	μA μA	$V_{CE}=100V, V_{BE}=0.2V, T_{amb}=85^{\circ}C$ $V_{CE}=100V, V_{BE}=0.2V,$ $T_{amb}=125^{\circ}C$
Emitter Cut-Off Current	I_{EBO}			100	nA	$V_{EB}=4V$
Collector-Emitter Saturation Voltage	$V_{CE(sat)}$			0.9	V	$I_C=300mA, I_B=30mA$ *
Base-Emitter Saturation Voltage	$V_{BE(sat)}$			1.4	V	$I_C=300mA, I_B=30mA$ *
Static Forward Current Transfer Ratio	h_{FE}	25 63 40				$I_C=100\mu A, V_{CE}=1V$ $I_C=100mA, V_{CE}=1V$ * $I_C=200mA, V_{CE}=1V$ *
Transition Frequency	f_T		100		MHz	$I_C=10mA, V_{CE}=5V$ $f=20MHz$
Output Capacitance	C_{obo}		12		pF	$V_{CB}=10V, I_E=I_e=0, f=1MHz$

* Measured under pulsed conditions. Pulse width = 300 μs . Duty cycle 2%