

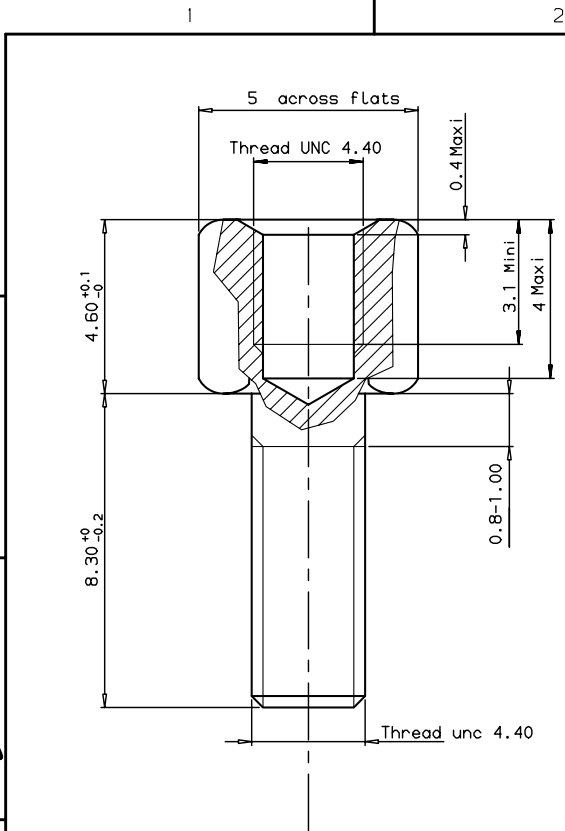
Excellent Integrated System Limited

Stocking Distributor

Click to view price, real time Inventory, Delivery & Lifecycle Information:

[FCI](#)
[86551128TLF](#)

For any questions, you can email us directly:
sales@integrated-circuit.com



TECHNICAL CHARACTERISTICS :
 Female screw locks: steel ,tin plated .
 Packaging : per 1000 pieces .

Part number: **86551128TLF**

NOTE:RoHS INFORMATIONS
 - The "LF" products meet European union Directives and other country regulations as described in 65-22-008.
 - Plating Sn (pure bright) over copper
 - Packaging spec: see 65-14-920

Copyright FCI

www.fciconnect.com				surface ISO 1302	tolerance std ISO 406 ISO 1101	projection mm	mm		
TOLERANCES UNLESS OTHERWISE SPECIFIED				ANGULAR		0.X	±0.1	size A3	Scale 10
LINEAR				0.XX	±0.1				
0.XX ±2°				0.XXX	±0.1	ECN L509-0006		Spec ref -	
Product family				D-SUB					
Dr	JOUBERT	1995/06/27	Eng	PESSON	1995/06/27	Rev.			
A	-	JOU	1995/06/27	Chr	LEGARE	1995/06/27	E		
B	L505-0026	YFE	2005/07/08	Appr	LEGARE	1995/06/27	E		
C	L506-0037	LGO	2006/07/28	Product family		D-SUB		Spec ref -	
D	L506-0120	PCR	2006/08/08	Product family		D-SUB		Spec ref -	
E	L509-0006	PCR	2009/01/08	Product family		D-SUB		Spec ref -	
FCI				FEMALE SCREW LOCKS		D SUB ACCESSORIES		Rev.	
catalog no				-		C01-8655-0616		E	
CUSTOMER				sheet 1 of 1					

REV F - 2006-04-17