

Excellent Integrated System Limited

Stocking Distributor

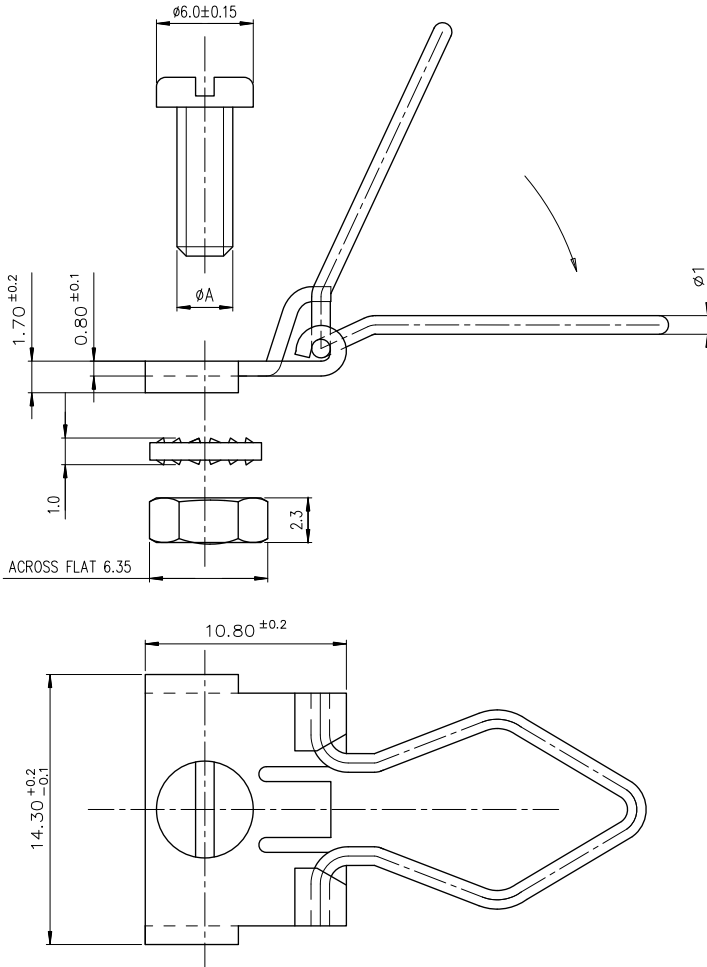
Click to view price, real time Inventory, Delivery & Lifecycle Information:

[FCI](#)
[86552098](#)

For any questions, you can email us directly:
sales@integrated-circuit.com

MATERIAL AND FINISH

BRACKET: steel, passivated
 SCREW: steel, passivated zinc
 NUT: steel, passivated zinc
 LOCK WASHER: steel, passivated zinc
 LOCK SPRING: steel, passivated



86552100	M 3	per 2
86552098	UNC 4.40	per 100
PART NUMBER	Ø A	PACKAGING

mat'l. code		SEE NOTES		surface		tolerance		projection		product family	
				ISO 1302		ISO 406 ISO 1101		MM		D-SUB	
ltr	ecn no	dr	date	tolerances	unless	otherwise	specified	title		sheet 1 of 1 size	
C	-	MPE	2005/08/30	angles	linear	.0±.0.1		LEVER LOCKS MALE		A3	
D	LS06-0097	LGO	2006/07/28	2°		.00±0.1		SHELL 9-15-25-37			
E	LS09-0006	PCR	2009/01/08			.000±0.1	scale 5	FCI		dwg no C01-8655-0652	
F	I09-0186	AMR	2009/09/07	dr	JARRY	2003/03/05		Type Product Customer Drawing			
G	I11-0022	AMR	2011/01/25	engd	MITHUN PAUL	2013/07/11					
H	I11-0153	AMR	2011/08/24	chr	MITHUN PAUL	2013/07/11					
J	ELX-15214	MP	2013/07/11	appd	BIJU K PAUL	2013/07/11					
sheet	revision	J									
index	sheet	1									