

Excellent Integrated System Limited

Stocking Distributor

Click to view price, real time Inventory, Delivery & Lifecycle Information:

[FCI](#)

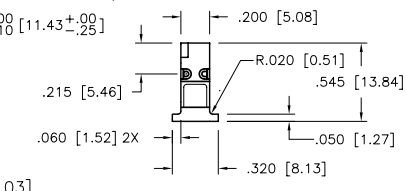
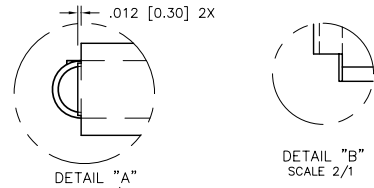
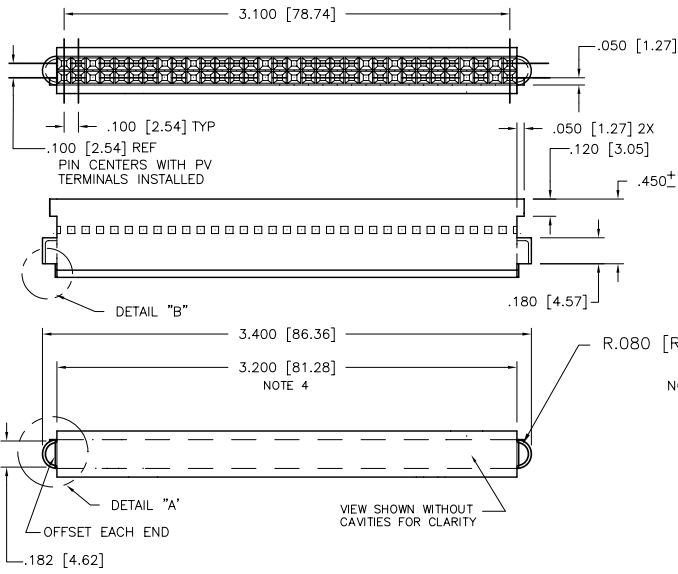
[93207-001LF](#)

For any questions, you can email us directly:

sales@integrated-circuit.com

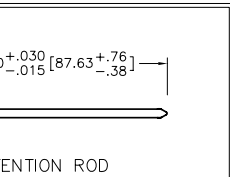
PRODUCT NUMBER
93207-001
93207-001LF

OBSOLETE



NOTES:

- MATERIAL: 30% GLASS FIBER REINFORCED PCT, FLAME RETARDANT PER UL-94V-0, COLOR: BLACK.
- RETENTION ROD MATERIAL: NYLON, .030 [0.76] DIAMETER.
- QUANTITY OF RETENTION RODS IS TWO (2) PER HOUSING OF PART NUMBER 65048-013, SUPPLIED WITH HOUSING.
- DO NOT INCLUDE OFFSET IN THIS MEASUREMENT.
- PRODUCT MEETS EUROPEAN UNION DIRECTIVES AND OTHER COUNTRY REGULATIONS AS DESCRIBED IN GS-22-008.
- THIS PRODUCT IS NOT INTENDED TO BE EXPOSED TO MANUFACTURING SOLDER PROCESSES.



mat'l code	surface	tolerance	projection	product family
SEE NOTE 1 & 2		tolerances unless otherwise specified	INCH/MM	PV HOUSINGS
ltr	ec'n no	dr	date	title
A	v31845	SAR	1993-10-29	GRANTECH MINI ROD HSG. 2x32 DR .100 [2.54] CC
B	v60437	IMDF	1996-04-03	
C	v01734	RGD	2000-08-14	
D	v05-0718	TAB	2005-07-29	
E	v06-0454	HTB	2006-05-25	
F	v07-0576	HTB	2007-08-29	93207
sheet	revision	F		type
index	sheet	1		Product Customer Drawing