

Excellent Integrated System Limited

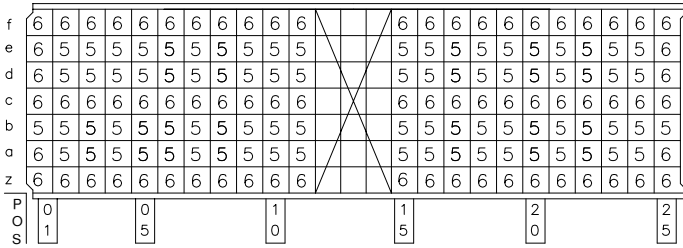
Stocking Distributor

Click to view price, real time Inventory, Delivery & Lifecycle Information:

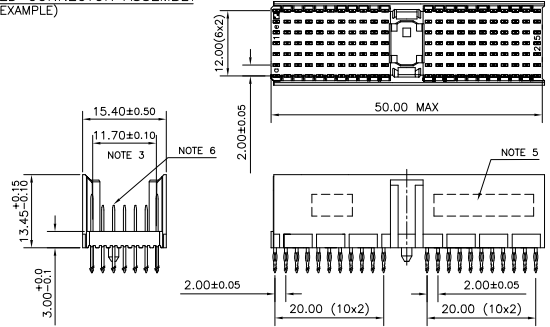
[FCI](#)
[HM2P07PDW2N1N9](#)

For any questions, you can email us directly:
sales@integrated-circuit.com

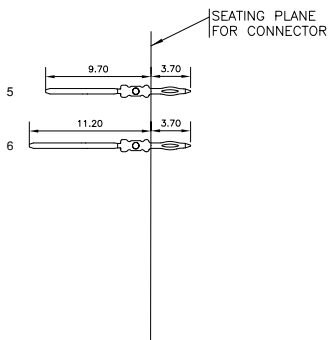
LOADING PATTERN MATING SIDE



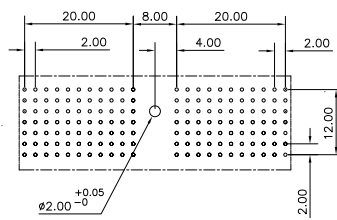
LOADED CONNECTOR ASSEMBLY
(FOR EXAMPLE)



CONTACT OVERVIEW



LAY-OUT P.C.B.-HOLE



LEAD FREE INDICATOR : LF = LEAD FREE
(DIGIT 15 & 16)

HM2P07PDW2N1

PLATING CODE (DIGIT 13 AND 14)
(REF DRW NO. BS,C , 201844 , 003)

NOTES

- THIS PRODUCT IS CSA APPROVED.
- THIS PRODUCT IS UL RECOGNIZED.
- MEASURED AT THE BOTTOM.
- MATERIAL CONTACT: PHOSPHORBRONZE
HOUSING: CREAM WHITE GLASS FILLED POLYESTER UL-94V0
- CONNECTOR PRINTED WITH P/N AND DATE CODE.
- FOR ACTUAL CONTACT LOADINGS, SEE LOADING PATTERN MATING SIDE.
- SHAPE OF CONNECTOR HOUSING CAN ALTER DEPENDING ON PRODUCTION LOCATION
- THE PRODUCT (LF) MEETS EUROPEAN UNION DIRECTIVES AND OTHER COUNTRY REGULATIONS AS DESCRIBED IN GS-22-008
- FOR RECOMMENDED PTH DIMENSIONS REFER DRAWING : BS, A , 201572 , 001
- CATALOG NO: HM2P07PDW2N1----

mat'l. code	SEE NOTE 4	surface	ISO 1302	tolerance	ISO 406 ISO 1101	projection	product family	MILLIPACS
ltr	ecn no	dr	date	tolerances unless otherwise specified		MM	title	
A	103-0042	BKP	06/08/2003	angles	0±0.2	MM	MPACS 5+2R STR HDR PF CONN TYPE A	
B	105-0182	MINI	03/10/2005	linear	00±0.1	scale	dwg no sheet 1 of 1 size	
C	106-0077	MINI	22/06/2006	dr	0°±1"	FCI	BS, C ,203028, 069 A3	
				enr	MINI K VANDANATH	05/08/2003	type Product Customer Drawing	
				chr	BIJU K PAUL	05/08/2003		
				appd	BIJU K PAUL	22/06/2006		
sheet	revision	c						
index	sheet	1						