

Excellent Integrated System Limited

Stocking Distributor

Click to view price, real time Inventory, Delivery & Lifecycle Information:

[FCI](#)
[HM2P08PDE290N9](#)

For any questions, you can email us directly:
sales@integrated-circuit.com

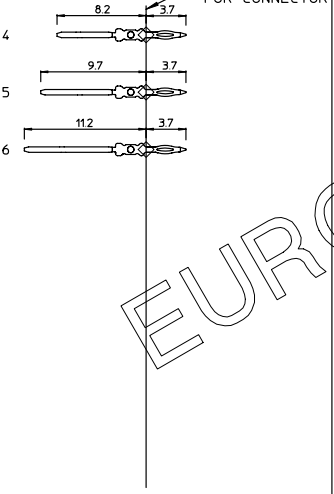
BS.C .201843.669	D	GEN. ST.	01	02	03	04	05	06	07	08	0D	50	60	70	80	90	REV	DATE	DESCRIPTION	BY	C'K'D'																	
		INT. ST.	10	11	12	13	14	18	20	31	32	33	34	38	39	40	42	43	44	45	46	48	56	70	72	73	75	76	81	82	83	84	88	A	2001-09-11	CONVERSION REVISION 02	VN	
																																		B	2002-05-28	EC 820886	VF	
																																		C	2005-11-03	105-0210	VIVEK	BKP
																																		D	2006-07-11	106-0111	VIVEK	BKP

LOADING PATTERN MATING SIDE

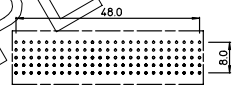
f	0	0	0	0	0	0	0	0	0	0	0	0	0	0	0	0	0	0	0	0	0	0	0	0	0	0	0	0	0	0	0	0	0
e	5	6	4	4	4	4	4	4	4	4	4	4	4	4	4	4	4	4	4	4	4	4	4	4	4	4	4	4	4	4	4	4	6
d	5	6	4	4	4	4	4	4	4	4	4	4	4	4	4	4	4	4	4	4	4	4	4	4	4	4	4	4	4	4	4	4	6
c	5	6	4	4	4	4	4	4	4	4	4	4	4	4	4	4	4	4	4	4	4	4	4	4	4	4	4	4	4	4	4	4	6
b	5	6	4	4	4	4	4	4	4	4	4	4	4	4	4	4	4	4	4	4	4	4	4	4	4	4	4	4	4	4	4	4	6
a	5	6	4	4	4	4	4	4	4	4	4	4	4	4	4	4	4	4	4	4	4	4	4	4	4	4	4	4	4	4	4	4	6
z	0	0	0	0	0	0	0	0	0	0	0	0	0	0	0	0	0	0	0	0	0	0	0	0	0	0	0	0	0	0	0	0	0
POS	1	5								1	5																						

SHEET NR. : 761

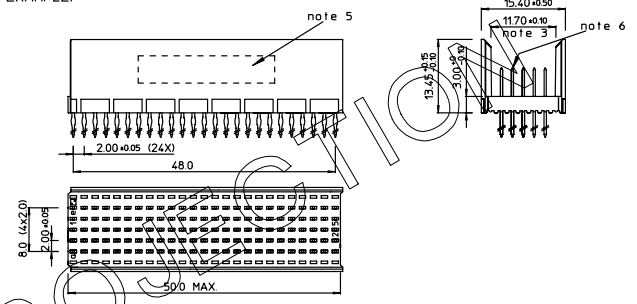
CONTACT OVERVIEW



LAY-OUT P.C.B.-HOLE



LOADED CONNECTOR ASSEMBLY (FOR EXAMPLE)



HM2P08PDE290 LEAD FREE INDICATOR : LF = LEAD FREE (DIGIT 15 & 16)
PLATING CODE (DIGIT 13 AND 14) (REF DWG No. BS.C .201844.003)

NOTES:

- 1. THIS PRODUCT IS CSA APPROVED.
- 2. THIS PRODUCT IS UL RECOGNIZED.
- 3. MEASURED AT THE BOTTOM.
- 4. MATERIAL CONTACT : PHOSPHORBRONZE
HOUSING : CREAM WHITE GLASSFILLED POLYESTER UL-94V0
- 5. CONNECTOR PRINTED WITH P/N AND DATE CODE.
- 6. FOR ACTUAL CONTACT LOADINGS, SEE LOADING PATTERN MATING SIDE.
- 7. SHAPE OF CONNECTOR HOUSING CAN ALTER DEPENDING ON PRODUCTION LOCATION.
- 8. THE PRODUCT (LF) MEETS EUROPEAN UNION DIRECTIVES AND OTHER COUNTRY REGULATIONS AS DESCRIBED IN GS-22-008
- 9. FOR RECOMMENDED PTH DIMENSIONS REFER DRAWING : BS.A .201572.001

1DEC ±0.2 2DEC ±0.1 ANGLES +1°	APPR. DRAFT CHECKED	DATE 1999-01-15	SIGN. M.Fret	LOADING PATTERN OVERVIEW
WE RESERVE THE RIGHT TO CHANGE OR DISCONTINUE OUR PRODUCTS WITHOUT PRIOR NOTICE.	PROD. MGR PR. ENG. MGR PR. MGT. MGR			CAT. No. HM2P08PDE290----
ALL DIMENSIONS IN MM	REFERENCES			www.fciconnect.com
				SCALE
				BS.C .201843,669
				DRAWING No. CUSTOMER DRAWING
				D REVISION

THIS IS OUR EXCLUSIVE PROPERTY. IT IS NOT TO BE COPIED, REPRINTED OR DISCLOSED TO A THIRD PARTY, AND USED FOR MANUFACTURING WITHOUT OUR WRITTEN CONSENT, AND HAS TO BE RETURNED TO US IN CASE OF NO USAGE

DIT IS ONZE EIGENDE BIJ NAAM NIET AFMILT. HERHAARDE OVERNAMME EN GEbruik, NIET VOOR FABRIKATIE, GEWILKT VERBODEN, ZONDER ONZE SCHRIFTELIJKE TOEGELATING. NIET OVERNEMEN IS VERBODEN VOOR TOEGELATING.