

Excellent Integrated System Limited

Stocking Distributor

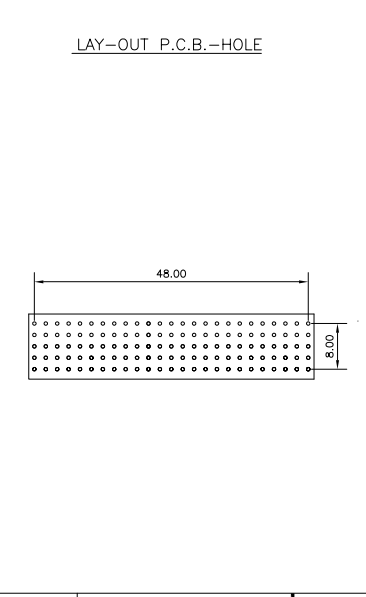
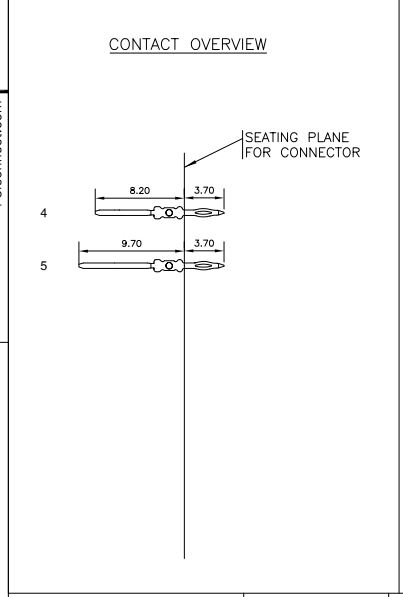
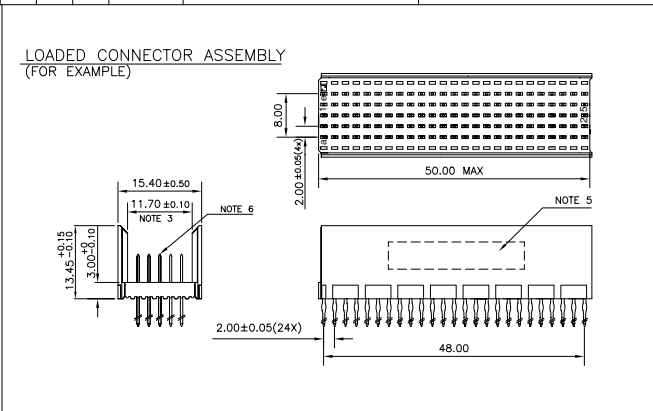
Click to view price, real time Inventory, Delivery & Lifecycle Information:

[FCI](#)
[HM2P08PDE380N9](#)

For any questions, you can email us directly:
sales@integrated-circuit.com

LOADING PATTERN MATING SIDE

f	0	0	0	0	0	0	0	0	0	0	0	0	0	0	0	0	0	0	0	0
e	5	5	5	5	5	5	5	5	4	4	5	5	5	5	5	5	5	5	5	5
d	5	5	5	5	5	5	5	5	4	4	5	5	5	5	5	5	5	5	5	5
c	5	5	5	5	5	5	5	5	5	5	5	5	5	5	5	5	5	5	5	5
b	5	5	5	5	5	5	5	5	5	5	5	5	5	5	5	5	5	5	5	5
a	5	5	5	5	5	5	5	5	5	5	5	5	5	5	5	5	5	5	5	5
z	0	0	0	0	0	0	0	0	0	0	0	0	0	0	0	0	0	0	0	0
P	0	0	1	1	2	2														
O	1	5	0	5	0	5														



HM2P08PDE380

LEAD FREE INDICATOR : LF = LEAD FREE (DIGIT 15 & 16)

PLATING CODE (DIGIT 13 AND 14) (REF DRW NO. BS, C , 201844 , 003)

NOTES

- THIS PRODUCT IS CSA APPROVED.
- THIS PRODUCT IS UL RECOGNIZED.
- MEASURED AT THE BOTTOM.
- MATERIAL CONTACT: PHOSPHORBRONZE
HOUSING: CREAM WHITE GLASS FILLED POLYESTER UL-94V0
- CONNECTOR PRINTED WITH P/N AND DATE CODE.
- FOR ACTUAL CONTACT LOADINGS, SEE LOADING PATTERN MATING SIDE.
- SHAPE OF CONNECTOR HOUSING CAN ALTER DEPENDING ON PRODUCTION LOCATION
- THE PRODUCT (LF) MEETS EUROPEAN UNION DIRECTIVES AND OTHER COUNTRY REGULATIONS AS DESCRIBED IN GS-22-008
- FOR RECOMMENDED PTH DIMENSIONS REFER DRAWING : BS, A , 201572 , 001

CATALOG NO: HM2P08PDE380----

mat'l. code	SEE NOTE 4	surface	tolerance	projection	product family
		ISO 1302	ISO 406 ISO 1101		MILLIPACS
ltr	ecn no	dr	date	title	
A	104-0087	MNI	2004/09/25	MPACS 5+2R STR HDR PF CONN TYPE B	
B	105-0189	MNI	2005/10/15		
C	106-0090	MNI	2006/06/28		
		dr	MINI K. VANDANATH	2004/09/25	dwg no
		enr	BIJU K. PAUL	2004/09/25	sheet 1 of 1
		chr	BIJU K. PAUL	2006/06/28	size
		appd	BIJU K. PAUL	2006/06/28	A3
sheet	revision	c			type
index	sheet	1			Product Customer Drawing

FCI
FCIconnect.com
Copyright FCI