

Excellent Integrated System Limited

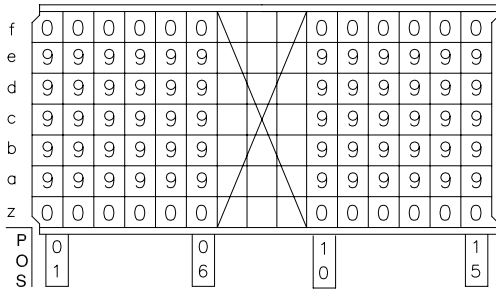
Stocking Distributor

Click to view price, real time Inventory, Delivery & Lifecycle Information:

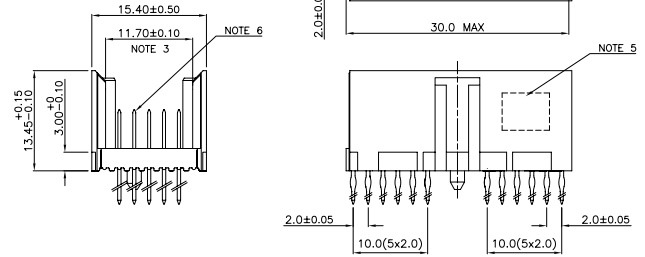
[FCI](#)
[HM2P27PN5110GF](#)

For any questions, you can email us directly:
sales@integrated-circuit.com

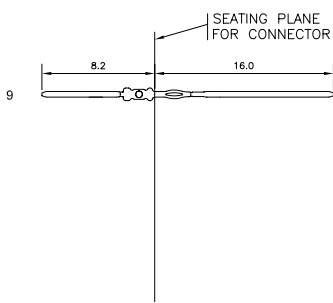
LOADING PATTERN MATING SIDE



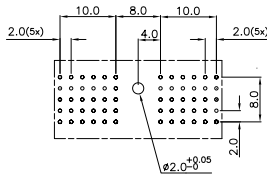
LOADED CONNECTOR ASSEMBLY (FOR EXAMPLE)



CONTACT OVERVIEW



LAY-OUT P.C.B.-HOLE



HM2P27PN5110 LEAD FREE INDICATOR : LF = LEAD FREE (DIGIT 15 & 16)
PLATING CODE (DIGIT 13 AND 14) (REF DRW NO. BS,C , 201844 , 003)

NOTES

1. THIS PRODUCT IS CSA APPROVED.
2. THIS PRODUCT IS UL RECOGNIZED.
3. MEASURED AT THE BOTTOM.
4. MATERIAL CONTACT: PHOSPHORBRONZE
HOUSING: CREAM WHITE GLASS FILLED POLYESTER UL-94V0
5. CONNECTOR PRINTED WITH P/N AND DATE CODE.
6. FOR ACTUAL CONTACT LOADINGS, SEE LOADING PATTERN MATING SIDE.
7. SHAPE OF CONNECTOR HOUSING CAN ALTER DEPENDING ON PRODUCTION LOCATION
8. THE PRODUCT (LF) MEETS EUROPEAN UNION DIRECTIVES AND OTHER COUNTRY REGULATIONS AS DESCRIBED IN GS-22-008
9. FOR RECOMMENDED PTH DIMENSIONS REFER DRAWING : BS, A , 201572 , 001

mat'l. code		SEE NOTE 4		surface	tolerance	projection	product family
				ISO 1302	ISO 406 ISO 1101		MILLIPACS
ltr	ecn no	dr	date	tolerances unless otherwise specified			title
A	103-0009	MINI	07/05/2003	angles	linear	MM	MPACS 5+2R STR HDR PF CONN TYPE A 6+6 POS.
B	103-0063	MINI	01/11/2003			scale	
C	105-0171	MINI	23/09/2005	0°-1°			
D	106-0077	MINI	17/06/2006	dr	MINI K VANDANATHI		dwg no
E	111-0112	MINI	2011-06-07	enrg	BIJU K PAUL		sheet 1 of 1
				chr	ALEX BABU		size
				appd	ALEX BABU		A3
sheet index	revision sheet	E					type
		1					Product Customer Drawing