

## Excellent Integrated System Limited

Stocking Distributor

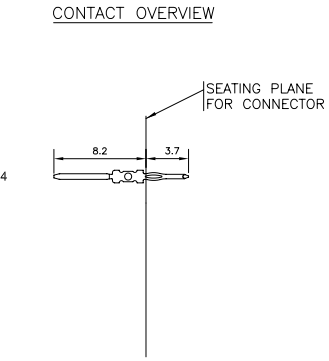
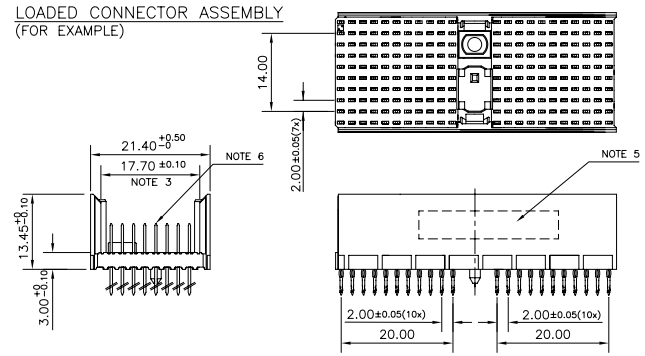
Click to view price, real time Inventory, Delivery & Lifecycle Information:

[FCI](#)  
[HM2P87PA8110AALF](#)

For any questions, you can email us directly:  
[sales@integrated-circuit.com](mailto:sales@integrated-circuit.com)

### LOADING PATTERN MATING SIDE

0	0	0	0	0	0	0	0	0	0	0	0	0	0	0	0	0	0	0	
4	4	4	4	4	4	4	4	4	4	4	4	4	4	4	4	4	4	4	
4	4	4	4	4	4	4	4	4	4	4	4	4	4	4	4	4	4	4	
4	4	4	4	4	4	4	4	4	4	4	4	4	4	4	4	4	4	4	
4	4	4	4	4	4	4	4	4	4	4	4	4	4	4	4	4	4	4	
4	4	4	4	4	4	4	4	4	4	4	4	4	4	4	4	4	4	4	
4	4	4	4	4	4	4	4	4	4	4	4	4	4	4	4	4	4	4	
4	4	4	4	4	4	4	4	4	4	4	4	4	4	4	4	4	4	4	
4	4	4	4	4	4	4	4	4	4	4	4	4	4	4	4	4	4	4	
0	0	0	0	0	0	0	0	0	0	0	0	0	0	0	0	0	0	0	
POS	1	5	10	15	20	25													

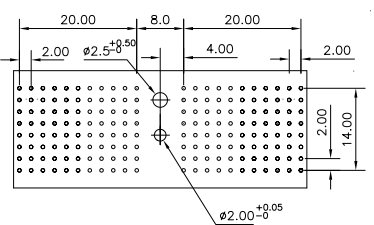


**HM2P87PA8110**  
 LEAD FREE INDICATOR : LF = LEAD FREE (DIGIT 15 & 16)  
 PLATING CODE (DIGIT 13 AND 14)

### PLATING TABLE

CODE	PLATING	CONTACT AREA	TYPE OF TERMINAL	PERFORMANCE LEVEL
AA	0.75µ Au	GOLD OVER NICKEL PLATING.	SHORT TERMINAL EON PRESSFIT CONTACTS	IEC PERFORMANCE LEVEL 2 (250 mating cycles) or TELCORDIA CO
AB	1.25µ Au	GOLD OVER NICKEL PLATING.	SHORT TERMINAL EON PRESSFIT CONTACTS	TELCORDIA UE

### LAY-OUT P.C.B - HOLE



- ### NOTES
- THIS PRODUCT IS CSA APPROVED.
  - THIS PRODUCT IS UL RECOGNIZED.
  - MEASURED AT THE BOTTOM.
  - MATERIAL CONTACT: PHOSPHOR BRONZE  
HOUSING : CREAM WHITE GLASS FILLED POLYESTER UL-94V0
  - CONNECTOR PRINTED WITH P/N AND DATE CODE.
  - FOR ACTUAL CONTACT LOADINGS, SEE LOADING PATTERN MATING SIDE.
  - SHAPE OF CONNECTOR HOUSING CAN ALTER DEPENDING ON PRODUCTION LOCATION
  - THE PRODUCT (LF) MEETS EUROPEAN UNION DIRECTIVES AND OTHER COUNTRY REGULATIONS AS DESCRIBED IN GS-22-008
  - FOR RECOMMENDED PTH DIMENSIONS REFER DRAWING : BS, A, 201572, 001
  - CATALOG NO. HM2P87PA8110----

mat'l. code SEE NOTE 4				surface ISO 1302	tolerance ISO 406 ISO 1101	projection	product family MILLIPACS	
tr	ecn no	dr	date	tolerances unless otherwise specified	angles	linear	MM	
A	109-0210	MINI	2009-10-06					
B	109-0290	AB	2009-12-29					
C	110-0018	MINI	2010-01-13	0° ± 1°				
				dr	MINI K VANDANATH	2009-10-06		
				enrg	ALEX BABU	2009-10-06		
				chr	ALEX BABU	2009-10-06		
				appd	ALEX BABU	2009-10-06		
sheet index	revision sheet	C	1					title MPACS 8-2R STR HDR PF CONN TYPE D  dwg no BS, C, 203032, 013  size A3  type Product Customer Drawing