

Excellent Integrated System Limited

Stocking Distributor

Click to view price, real time Inventory, Delivery & Lifecycle Information:

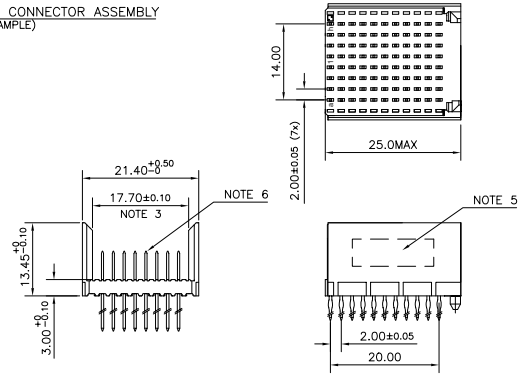
[FCI](#)
[HM2P89PDH1L0N9](#)

For any questions, you can email us directly:
sales@integrated-circuit.com

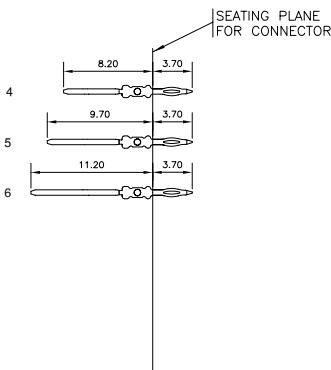
LOADING PATTERN MATING SIDE

y	0	0	0	0	0	0	0	0	0	0	
h	4	4	6	4	6	4	6	4	6	4	6
g	6	4	4	6	5	6	5	6	5	5	5
f	4	4	6	6	5	6	5	6	5	6	5
e	6	4	4	4	6	4	4	4	6	4	4
d	4	4	6	4	4	4	6	4	4	4	6
c	6	4	4	4	6	4	4	4	6	4	4
b	4	4	6	4	4	4	6	4	4	4	6
a	6	4	4	4	6	4	4	4	6	4	4
z	0	0	0	0	0	0	0	0	0	0	0
P	0	1									
S											

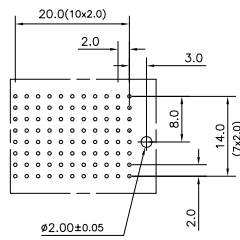
LOADED CONNECTOR ASSEMBLY (FOR EXAMPLE)



CONTACT OVERVIEW



LAY-OUT P.C.B.-HOLE



HM2P89PDH1L0N9
 LEAD FREE INDICATOR : LF = LEAD FREE (DIGIT 15 & 16)
 PLATING CODE (DIGIT 13 AND 14) (REF DRW NO. BS,C , 201844 , 003)

NOTES

- THIS PRODUCT IS CSA APPROVED.
 - THIS PRODUCT IS UL RECOGNIZED.
 - MEASURED AT THE BOTTOM.
 - MATERIAL CONTACT: PHOSPHORBRONZE
HOUSING: CREAM WHITE GLASS FILLED POLYESTER UL-94V0
 - CONNECTOR PRINTED WITH P/N AND DATE CODE.
 - FOR ACTUAL CONTACT LOADINGS, SEE LOADING PATTERN MATING SIDE.
 - SHAPE OF CONNECTOR HOUSING CAN ALTER DEPENDING ON PRODUCTION LOCATION
 - THE PRODUCT (LF) MEETS EUROPEAN UNION DIRECTIVES AND OTHER COUNTRY REGULATIONS AS DESCRIBED IN GS-22-008
 - FOR RECOMMENDED PTH DIMENSIONS REFER DRAWING : BS, A , 201572 , 001
- CATALOG NO: HM2P89PDH1L0----

mat'l. code	SEE NOTE 4	surface	tolerance	projection	product family	
ISO 1302	ISO 406	ISO 1101	MILLIPACS			
tr	ecn no	dr	date	angles	linear	title
A	I04-0089	MNI	2004/09/25	0±0.2	MM	MPACS 8+2R STR HDR PF CONN TYPE F
B	I05-0190	MNI	2005/10/13	00±0.1	scale	
C	I06-0090	MNI	2006/06/29	0°±1"		
dr	MNI K VANDANATH	2004/09/25				dwg no
enr	BIJU K PAUL	2004/09/25				sheet 1 of 1
chr	BIJU K PAUL	2006/06/29				Size
appd	BIJU K PAUL	2006/06/29				A3
sheet	revision	c				type
index	sheet	1				Product Customer Drawing