

Excellent Integrated System Limited

Stocking Distributor

Click to view price, real time Inventory, Delivery & Lifecycle Information:

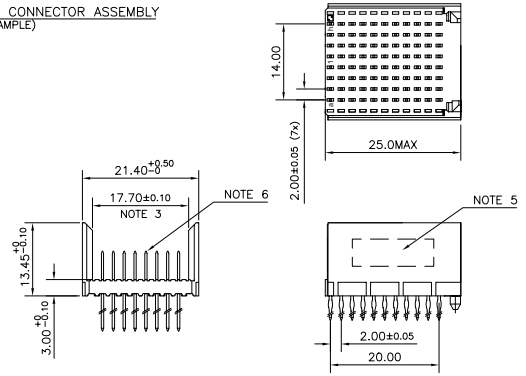
[FCI](#)
[HM2P89PDH1R0N9](#)

For any questions, you can email us directly:
sales@integrated-circuit.com

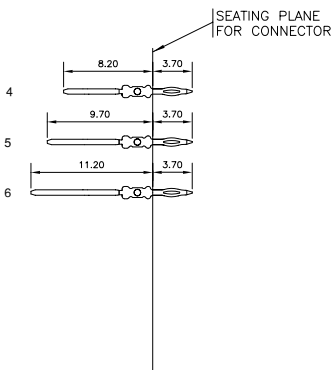
LOADING PATTERN MATING SIDE

y	0	0	0	0	0	0	0	0	0	0
h	4	4	4	4	4	4	4	4	4	4
g	4	4	4	4	5	4	4	4	6	4
f	4	4	4	4	4	4	4	4	4	4
e	4	4	4	4	4	4	4	4	4	4
d	4	4	4	4	4	4	4	4	4	4
c	4	4	4	4	4	4	4	4	4	4
b	4	4	4	4	4	4	4	4	4	4
a	4	4	4	4	4	4	4	4	4	4
z	0	0	0	0	0	0	0	0	0	0
pos	0	1	0	0	0	0	0	0	0	0

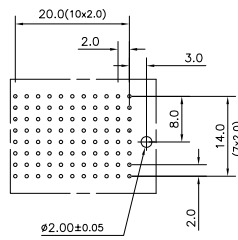
LOADED CONNECTOR ASSEMBLY (FOR EXAMPLE)



CONTACT OVERVIEW



LAY-OUT P.C.B.-HOLE



LEAD FREE INDICATOR : LF = LEAD FREE (DIGIT 15 & 16)
 HM2P89PDH1R0N9
 PLATING CODE (DIGIT 13 AND 14)
 (REF DRW NO. BS, C, 201844, 003)

NOTES

1. THIS PRODUCT IS CSA APPROVED.
 2. THIS PRODUCT IS UL RECOGNIZED.
 3. MEASURED AT THE BOTTOM.
 4. MATERIAL CONTACT: PHOSPHORBRONZE
HOUSING: CREAM WHITE GLASS FILLED POLYESTER UL-94V0
 5. CONNECTOR PRINTED WITH P/N AND DATE CODE.
 6. FOR ACTUAL CONTACT LOADINGS, SEE LOADING PATTERN MATING SIDE.
 7. SHAPE OF CONNECTOR HOUSING CAN ALTER DEPENDING ON PRODUCTION LOCATION
 8. THE PRODUCT (LF) MEETS EUROPEAN UNION DIRECTIVES AND OTHER COUNTRY REGULATIONS AS DESCRIBED IN GS-22-008
 9. FOR RECOMMENDED PTH DIMENSIONS REFER DRAWING : BS, A , 201572 , 001
- CATALOG NO: HM2P89PDH1R0----

mat'l. code	SEE NOTE 4	surface	tolerance	projection	product family
ltr	ecn no	dr	date	ISO 1302	ISO 406 ISO 1101
A	I04-0103	MNI	2004/11/13	tolerances unless otherwise specified	
B	I05-0195	MNI	2005/10/17	angles	0±0.2
C	I06-0090	MNI	2006/06/29	linear	00±0.1
		dr		0°±1"	MM
		enr	MINI K VANDANIATH	2004/11/13	scale
		chr	BIJU K PAUL	2004/11/13	
		appd	BIJU K PAUL	2006/06/29	
sheet	revision			FCI	
index	sheet	C 1		title	
				MPACS 8+2R STR HDR PF CONN TYPE F	
				dwg no	
				sheet 1 of 1	
				size	
				A3	
				type	
				Product Customer Drawing	