

Excellent Integrated System Limited

Stocking Distributor

Click to view price, real time Inventory, Delivery & Lifecycle Information:

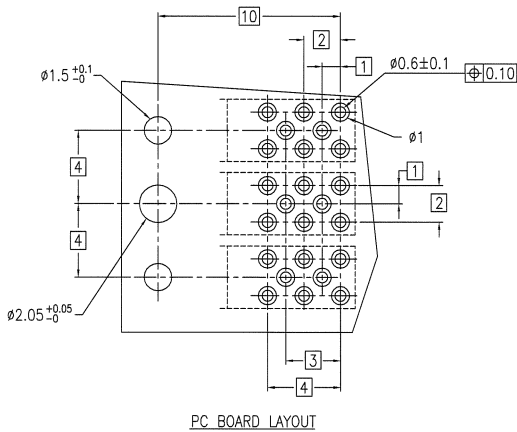
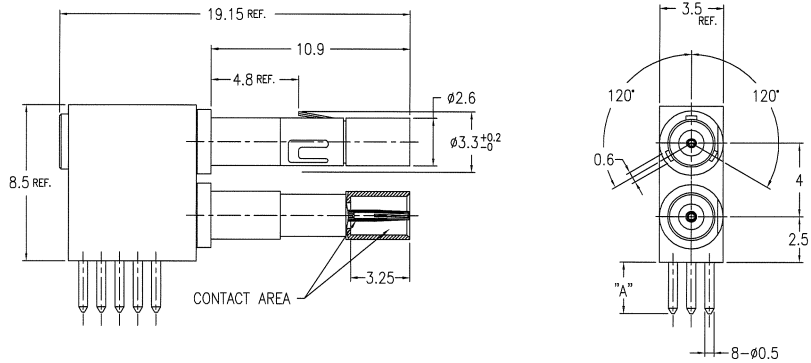
[FCI](#)

[62525-102LF](#)

For any questions, you can email us directly:

sales@integrated-circuit.com

PRODUCT NO.	DIM "A"	PCB THICKNESS
62525-101	2.8	1.6mm
-101LF		
62525-102	3.8	2.4mm
-102LF		
62525-103	4.5	3.2mm
-103LF		



- NOTES
- MATERIAL : CONTACT AREA BeCu
 SPRING CLIP BeCu
 INSULATOR PTFE
 OTHERS BRASS
 - PLATING : CONTACT AREA Au 0.8um MIN. UNDER Ni 1.27um MIN.
 SPRING CLIP Ni 1.27um MIN.
 BODY Ni 1.27um MIN.
 INSERT CAP Ni 1.27um MIN.
 OTHERS Au FLASH UNDER Ni 1.27um MIN.
 - FOR LEAD FREE P/N, THE PRODUCT MEET EUROPEAN UNION DIRECTIVES AND OTHER COUNTRY REGULATIONS AS DESCRIBED IN GS-22-008
 - THE HOUSING WILL WITHSTAND EXPOSURE TO 260°C PEAK TEMPERATURE FOR 10 SECONDS IN A CONVECTION, INFRA-RED OR VAPOR PHASE REFLOW OVEN.

mat'l. code					surface	tolerance	projection	product family	METRAL	CODE
---					ISO 1302	ISO 406	ISO 1101			JP
A	RELEASED	J90148	YK	5/10/99	tolerances unless otherwise specified	0.X	±0.3	MM		
B	REVISED	J90200	YK	6/7/99	angles	linear	0.XX	±0.3		
C	REVISED	J20641	YK	12/16/02	0°±2'	0.XXX	±0.3	scale 5:1		
D	REVISED	J05-0673	YK	10/21/05	dr	Y.KODAIRA	5/10/99			
E	REVISED	J07-0030	SD	1/18/07	enrg	S.OKUDAIRA	1/18/07			
					chr	R. Shoji	1/18/07			
					appd	S. Okudaira	1/18/07			
sheet	revision	E								
index	sheet	1								