

Excellent Integrated System Limited

Stocking Distributor

Click to view price, real time Inventory, Delivery & Lifecycle Information:

[FCI](#)

[65167-001LF](#)

For any questions, you can email us directly:

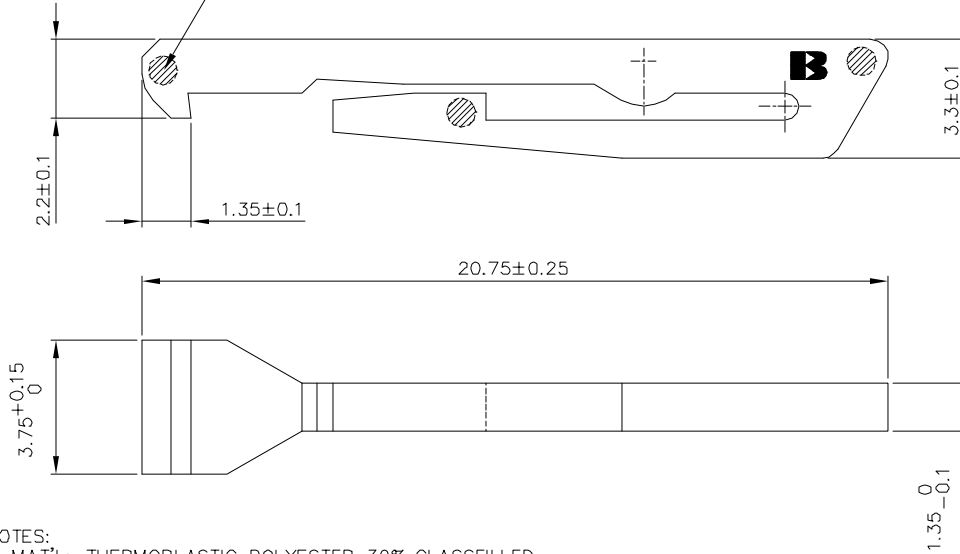
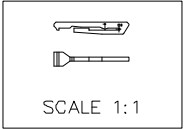
sales@integrated-circuit.com

PRODUCT NUMBER
65167-001(LF)

SEE NOTE 1

WHEN NEEDED, SUFFIX LETTER "LF"
INDICATES THE PRODUCT IS RoHS
COMPLIANT, SEE NOTE 3

POSSIBLE EJECTOR MARKS



NOTES:

1. MAT'L: THERMOPLASTIC POLYESTER 30% GLASSFILLED
UL-94-V0, COLOUR; BLEU.
2. MAT'L: MODIFIED P.P.O.
UL-94-U1, COLOUR; GREY.

3. - RoHS COMPATIBLE PRODUCT SPECIFICATIONS

a - LABELING:

- MEETS PACKAGING SPECS AS PER GS-14-920

b - LEGAL STATEMENT: SEE GS-22-008

THE PRODUCT IS NOT INTENDED TO BE EXPOSED TO A
MANUFACTURING SOLDER PROCESS.

mat'l. code				surface			tolerance			projection		product family			
--				ISO 1382			ISO 486 ISO			1:1		BERGCON			
Ltr				date			tolerances unless otherwise specified			title					
H F05-0286 DLE				05.11.07			angles			mm			KEY RA		
J F06-0218 DLE				06.07.11			linear			scale 10:1			FOR POL. AND LATCH.		
D H80467 LGI				980723 dr			D. de Bli			950927			dwg no		
E F00406 LLA				000522 engr			M. Loman			950927			sheet 1 of 1 size		
F F20315 DLE				02.05.13 chr			M. Loman			950927			65167 A3		
G F05-0235 DLE				05.08.24 appd			M. Loman			950927			type Product Customer Drawing		
sheet index				revision sheet											