

## Excellent Integrated System Limited

Stocking Distributor

Click to view price, real time Inventory, Delivery & Lifecycle Information:

[FCI](#)

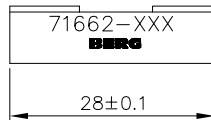
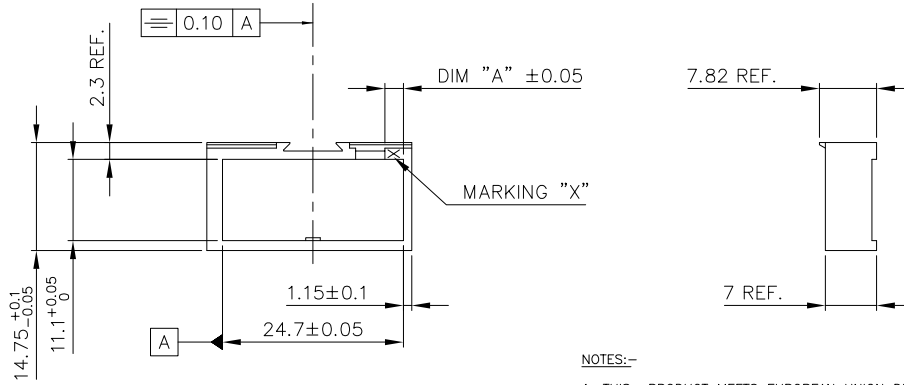
[71662-001LF](#)

For any questions, you can email us directly:

[sales@integrated-circuit.com](mailto:sales@integrated-circuit.com)

Product number	Marking "X"	Dim "A"
71662-001	1	2.53
71662-002	4	17.95

Material: Modified polyphenylene oxyde, colour black  
Flammability : UL-94-V1



NOTES:-

1. THIS PRODUCT MEETS EUROPEAN UNION DIRECTIVES AND OTHER COUNTRY REGULATIONS AS DESCRIBED IN GS-22-008.
2. LEADFREE OR RoHS DIRECTIVE LABELLING TO BE PROVIDED AS PER GS-14-920.
3. " LF " SUFFIX TO PRODUCT NUMBER FOR RoHS COMPATIBLE/ LEADFREE VERSION.
4. PARTS WITH AND WITHOUT "LF " SUFFIX ARE FORM-FIT AND FUNCTIONALLY IDENTICAL. " LF " SUFFIX PROVIDED FOR PART NUMBER STANDARDISATION OF PART THAT MEETS RoHS REQUIREMENTS.

mat'l. code	surface	tolerance	projection	product family
SEE NOTE	ISO 1302	ISO 406 ISO 1101		BACKPANEL
ltr	ecn no	dr	date	title
C	H80706	DOB	1998-10-13	MALE LOCK FRAME ONE MOD. STR
D	F00406	LLA	2000-05-24	
E	I05-0123	MINI	2005-07-27	dwg no
F	I05-0248	MINI	2005-11-22	
G	I06-0082	MINI	2006-06-01	71662
		engr	J.F. NOTTEAU	2000-10-10
		chr	RAKHEE GEORGE	2006-06-01
		app	RAKHEE GEORGE	2006-06-01
sheet index	revision sheet	G	1	type
				Product Customer Drawing