

Excellent Integrated System Limited

Stocking Distributor

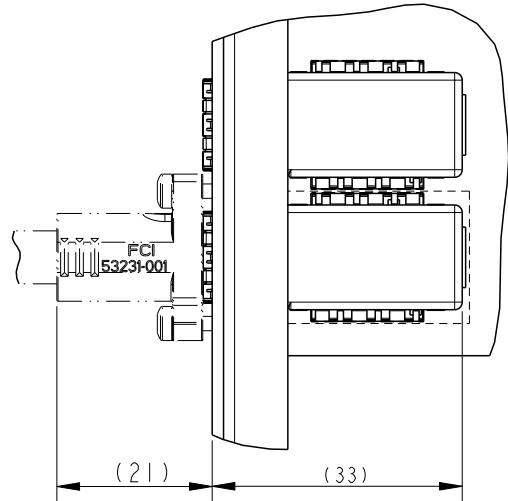
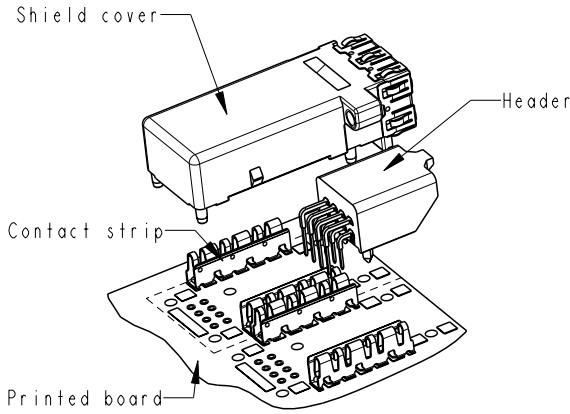
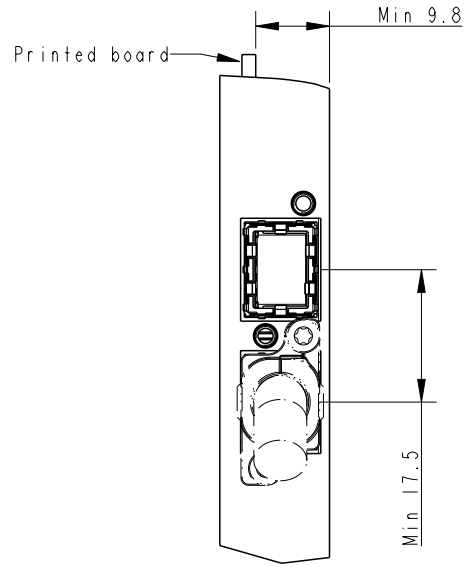
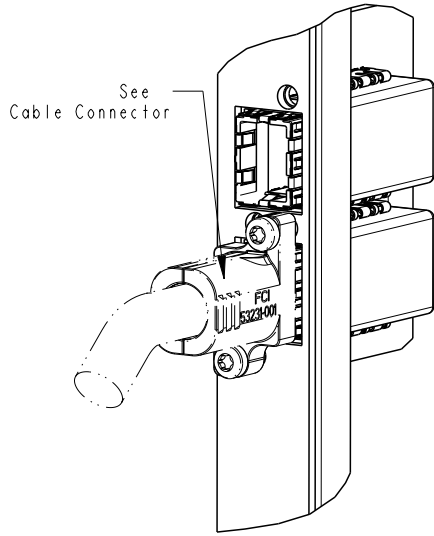
Click to view price, real time Inventory, Delivery & Lifecycle Information:

[FCI](#)

[72860-103LF](#)

For any questions, you can email us directly:

sales@integrated-circuit.com



- PRODUCT SPECIFICATION: GS-12-307
 PACKAGING SPECIFICATION: EUR-14-010
 APPLICATION SPECIFICATION: GS-20-049
 MATERIAL:
 1. HEADER HOUSING:.....LIQUID CRYSTAL POLYMER 30 % GLASS
 FLAME RETARDANT ACC. UL 94-V0
 2. COVER:.....ZINC ALLOY
 3. TERMINAL:.....TINBRONZE
 4. GROUND SPRING:.....STAINLESS STEEL
 5. CONTACT STRIP:.....STAINLESS STEEL

- NOTE
 6. PCB THICKNESS:1.4-2.4 mm
 7. ROHS INFORMATIONS: see sheet 4.

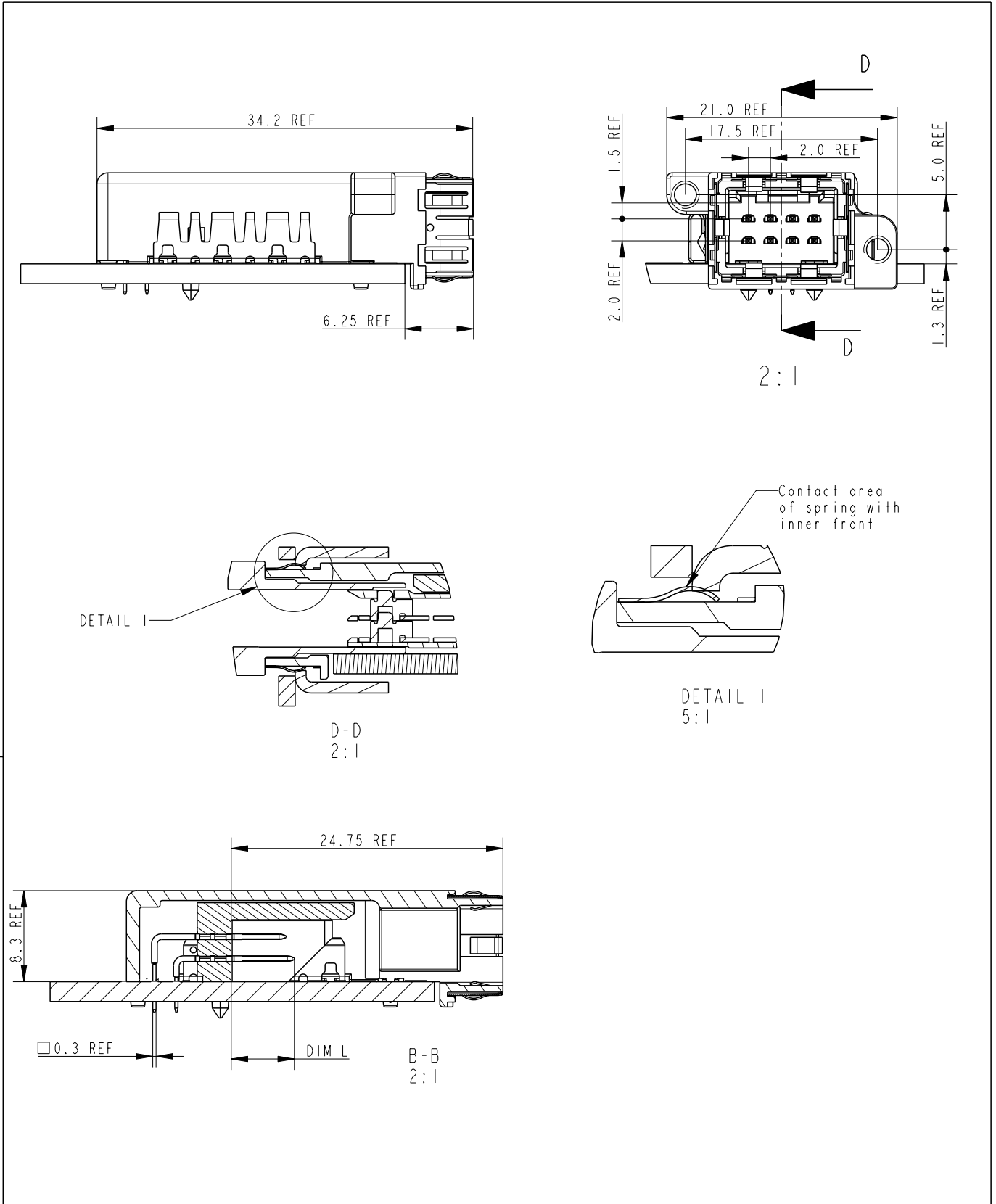
rev	ecn no	dr	date
J	LS07-0255	JTA	2007/11/12
-	-	-	-
D	LS4129	JTA	2004/12/15
E	LS05-0102	JTA	2005/12/15
F	LS06-0084	LGO	2006/07/01
G	LS06-0143	LGO	2006/09/25
H	LS07-0188	JTA	2007/06/29



PERFORMANCE LEVEL	
72860-1XXLF	Telcordia CO.
72860-2XXLF	Customer Special

Copyright FCI.

www.fciconnect.com			surface ISO 1302	tolerance std ISO 406 ISO 1101	projection 	mm
			TOLERANCES UNLESS OTHERWISE SPECIFIED			
Dr	HAC	2002/06/30	ANGULAR	LINEAR	0.X	±0.3
Eng	G.Nys	2002/06/30			0.XX	±0.1
Chr	W.Panis	2002/06/30	0°	±2°	0.XXX	±0.05
Appr	W.Panis	2002/06/30	Product family		SOFIX	Spec ref
			title			Rev.
PIP HDR 8 Pos.			72860_C			J
Sofix shielded i/o			dwg no			



Copyright FCI.

www.fciconnect.com			surface ISO 1302	✓	tolerance std ISO 406 ISO 1101	projection 	mm
			TOLERANCES UNLESS OTHERWISE SPECIFIED				
Dr	HAC	2002/06/30	ANGULAR	LINEAR	0.X	±0.3	size A4
Eng	G.Nys	2002/06/30			0.XX	±0.1	
Chr	W.Panis	2002/06/30			0° ±y°	0.XXX	±0.05
Appr	W.Panis	2002/06/30	Product family		SOFIX	Spec ref	RELEASED
		title PIP HDR 8 Pos. Sofix shielded i/o			dwg no	72860_C	
							Rev. J

LEAD-FREE PRODUCTS:(see note 7)

KIT: 72860-X0XLF

COMPONENTS	QTY
SHIELD COVER	1
HEADER	1
CONTACT SPRING	2



PRODUCT NO.	MATING LENGTH DIMENSION L	
72830-X01LF	Row B 5.0 Row A 5.75	
72830-X02LF	Row B Pos1 and Pos2 = 5.00 Row B Pos3 and Pos4 = 5,75 Row A 5.75	
72830-X03LF	Row B 5.75 Row A Pos1 and Pos2 = 5.00 Row A Pos3 and Pos4 = 5.75	



Dimension with oval around are critical dimensions including any attached geometrical tolerance. Other features or stand-alone geometrical tolerances being critical have a note "CRITICAL FEATURE" below the item

A symbol (x:drawing current revision) will be next to any dimension, view or note which has been modified with the current drawing revision



Copyright FCI.

www.fciconnect.com			surface ISO 1302	tolerance std ISO 406 ISO 1101	projection 	mm 	
			TOLERANCES UNLESS OTHERWISE SPECIFIED				
Dr	HAC	2002/06/30	ANGULAR	LINEAR	0.X	±0.3	
Eng	G.Nys	2002/06/30			0.XX	±0.1	size A4
Chr	W.Panis	2002/06/30			0.XXX	±0.05	ECN LS07-0255
Appr	W.Panis	2002/06/30	Product family		SOFIX	Spec ref RELEASED	
		title PIP HDR 8 Pos. Sofix shielded i/o		dwg no 72860_C		Rev. J	

7-ROHS INFORMATIONS:

-This product meets European Union Directives and other country regulations as described in GS-22-008.

-The housing will withstand exposure to 260°C peak temperature for 5 second in a wave solder application with a 1.4mm minimum thick circuit board. See Application notes/procedures if they are available.

-Packaging spec: see GS-14-920.



Copyright FCI.

www.fciconnect.com			surface ISO 1302	✓	tolerance std ISO 406 ISO 1101	projection 	mm
TOLERANCES UNLESS OTHERWISE SPECIFIED							
Dr	HAC	2002/06/30	ANGULAR	LINEAR	0.X	±0.3	size A4
Eng	G.Nys	2002/06/30			0.XX	±0.1	
Chr	W.Panis	2002/06/30			0.XXX	±0.05	
Appr	W.Panis	2002/06/30	0°	±y°	Product family	SOFIX	ECN LS07-0255 Spec ref RELEASED
		title PIP HDR 8 Pos. Sofix shielded i/o			dwg no	72860_C	
						Rev. J	