

## Excellent Integrated System Limited

Stocking Distributor

Click to view price, real time Inventory, Delivery & Lifecycle Information:

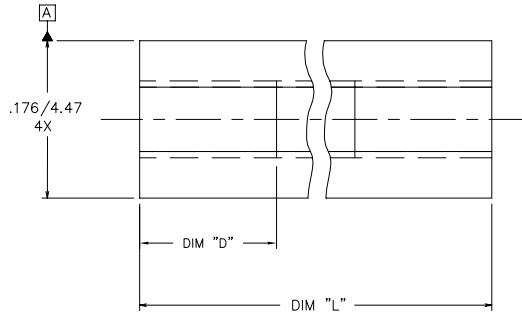
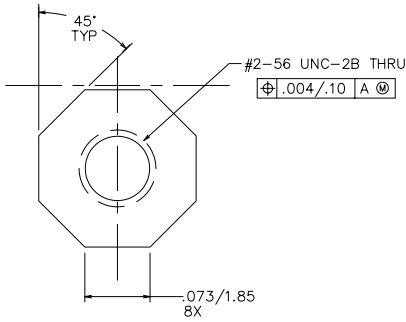
[FCI](#)

[78059-001](#)

For any questions, you can email us directly:

[sales@integrated-circuit.com](mailto:sales@integrated-circuit.com)

| PRODUCT NUMBER | DIM L      | DIM D          |
|----------------|------------|----------------|
| 78059-001      | .065/1.65  | THRU           |
| 78059-001LF    |            |                |
| 78059-002      | .394/10.00 | .157/3.99 (2x) |
| 78059-002LF    |            |                |



NOTES:

- MATERIAL: 416 OR 430 STAINLESS STEEL.
- ADD AN LF SUFFIX TO PART NUMBERS FOR PRODUCT THAT MEETS EUROPEAN UNION DIRECTIVES AND OTHER COUNTRY REGULATIONS AS DESCRIBED IN GS-22-008.
- THIS PRODUCT IS NOT INTENDED TO BE EXPOSED TO MANUFACTURING SOLDER PROCESSES.

| mat'l. code |                | surface  | tolerance           | projection                            | product family                |
|-------------|----------------|----------|---------------------|---------------------------------------|-------------------------------|
|             |                | ISO 1302 | ISO 406<br>ISO 1101 |                                       | HPC                           |
| ltr         | ecr no         | dr       | date                | tolerances unless otherwise specified | title                         |
| A           | V12227         | SAR      | 8/27/91             | angles .XX±.01/.3                     | OCTAGON NO. 2                 |
| B           | V00711         | LSS      | 3/16/00             | linear .XXX±.005/.13                  | MOUNTING NUT                  |
| C           | V05-0964       | HTB      | 10/18/05            | 0±2' .XXXX±.0020/.051                 | scale 1:1                     |
| D           | M06-0265       | AGS      | 7/10/06             | dr L. SANDERS 3/16/00                 | FCI                           |
|             |                |          |                     | enrg M. GRAY 3/16/00                  | dwg no 78059                  |
|             |                |          |                     | chr M. GRAY 3/16/00                   | sheet 1 of 1 size A3          |
|             |                |          |                     | appd M. GRAY 3/16/00                  | type Product Customer Drawing |
| sheet index | revision sheet | D        | 1                   |                                       |                               |