

Excellent Integrated System Limited

Stocking Distributor

Click to view price, real time Inventory, Delivery & Lifecycle Information:

[FCI](#)

[85450-001LF](#)

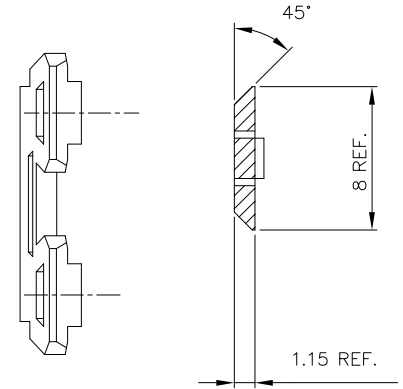
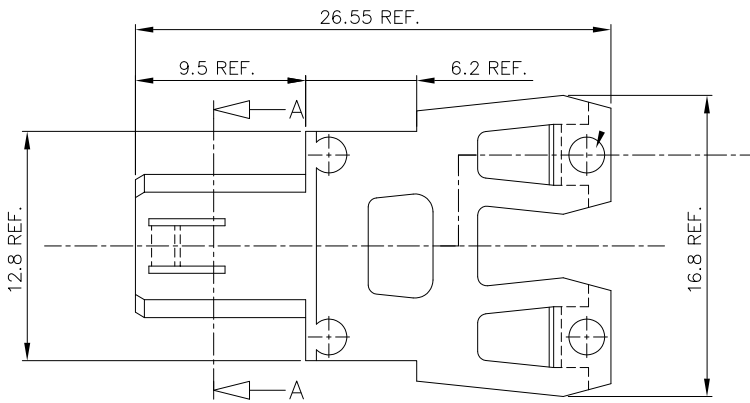
For any questions, you can email us directly:

sales@integrated-circuit.com

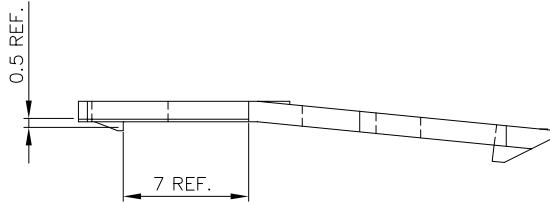
Product number
85450-001

NOTES:-

1. THIS PRODUCT MEETS EUROPEAN UNION DIRECTIVES AND OTHER COUNTRY REGULATIONS AS DESCRIBED IN GS-22-008.
2. LEADFREE OR RoHS DIRECTIVE LABELLING TO BE PROVIDED AS PER GS-14-920.
3. " LF " SUFFIX TO PRODUCT NUMBER FOR RoHS COMPATIBLE/ LEADFREE VERSION.
4. PARTS WITH AND WITHOUT "LF " SUFFIX ARE FORM-FIT AND FUNCTIONALLY IDENTICAL. " LF " SUFFIX PROVIDED FOR PART NUMBER STANDARDISATION OF PART THAT MEETS RoHS REQUIREMENTS.



Section A-A



Material: PBT Thermoplastic Polyester 30% glass filled flame retardant per UL-94-V0, Colour grey.

mat'l. code	SEE NOTE	surface	tolerance	projection	product family		
ltr	ecn no	dr	date	ISO 1302	ISO 406	ISO 1101	BACKPANEL
				tolerances unless otherwise specified			
C	H70306	BKU	1997-05-13	angles	linear	mm	LOCKING LATCH
D	F00406	LLA	2000-05-24			scale	
E	105-0123	MINI	2005-07-27				
F	105-0248	MINI	2005-11-24	dr	D.LEGRAND	2000-10-10	dwg no
G	106-0083	MINI	2006-06-01	enrg	J.F.NOTTEAU	2000-10-10	sheet 1 of 1
				chr	RAKHEE GEORGE	2006-06-01	size
				appd	RAKHEE GEORGE	2006-06-01	A3
sheet index	revision sheet	G	1				type
							Product Customer Drawing