

Excellent Integrated System Limited

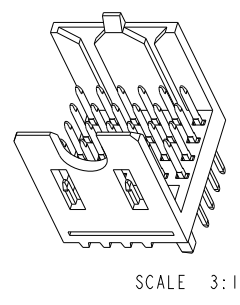
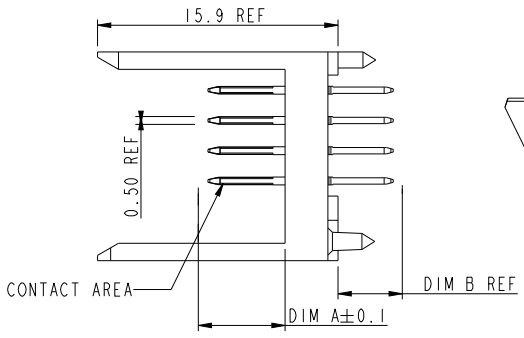
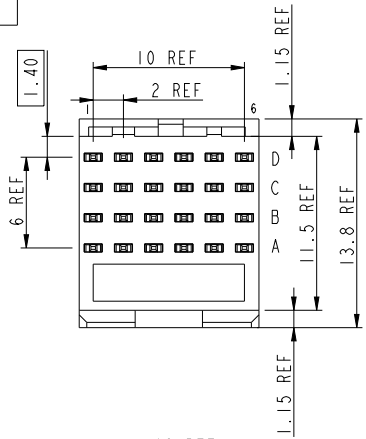
Stocking Distributor

Click to view price, real time Inventory, Delivery & Lifecycle Information:

[FCI](#)
[85697-106LF](#)

For any questions, you can email us directly:
sales@integrated-circuit.com

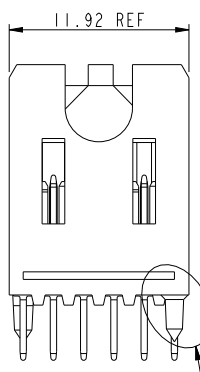
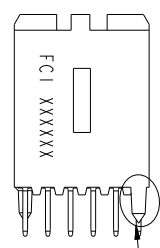
TIN LEAD P/N 85697-XY	LEAD FREE P/N 85697-XYLF
--------------------------	-----------------------------



- NOTES**
- FOR DIM A AND DIM B, SEE SHEET 2 AND UP
 - BODY MATERIAL : LIQUID CRYSTAL POLYMER 30% GLASS FLAME RETARDANT ACC. UL 94-V0.
 - PIN MATERIAL : PHOSPHOR BRONZE.
 - PLATING ON CONTACT AREA CONFORMS TO PERFORMANCE LEVEL SHOWN IN TABLE BELOW.
 - PRODUCT MARKING : FCI PART NUMBER & BATCH ID.
 - ALL PRODUCT WITH PART NUMBERS SHOWN IN SUBSEQUENT TABLES WILL BE PACKAGED IN TUBES. IF TRAY PACKAGING IS REQUIRED, A SUFFIX "P" WILL BE ADDED TO THE END OF THE PART NUMBER. EXAMPLE : YYYY-XXXP. OR YYYY-XXXPLF

GENERAL CHARACTERISTICS AND RoHS INFORMATIONS:
SEE DRAWING C-8626-000S

FCI P/N PRINTING



SEE DETAIL 2

SEE DETAIL 1

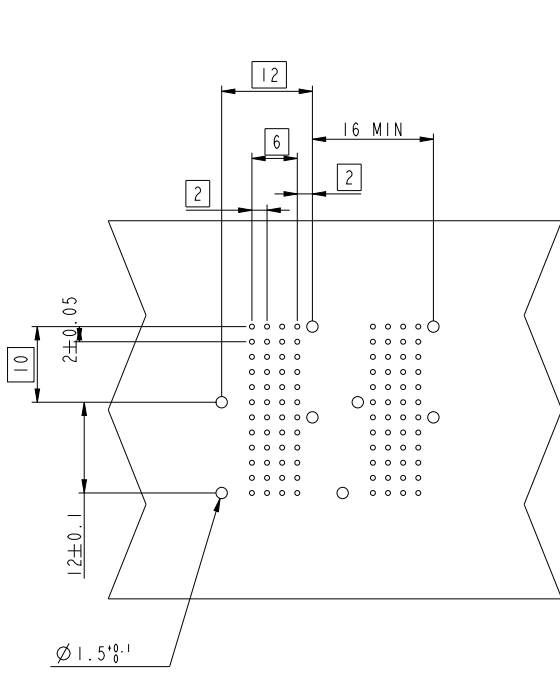
PLATING IN CONTACT AREA	
DASH NUMBER	PERFORMANCE LEVEL
IYY or IYYLF	STANDARD P/N
7YY or 7YYLF	ERICSSON SPECIAL

FOR DETAIL 2 & 3, SEE PAGE 2.

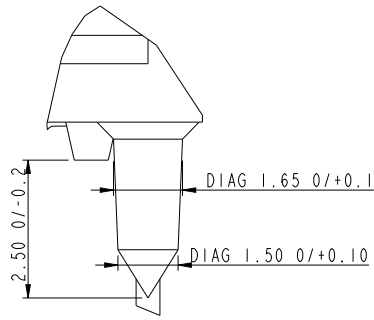
rev	ecn no	dr	date
F	LS3060	SPE	2003-07-22
G	LS05-001	LMA	2005-03-18
H	LS05-0081	LGO	2005-09-07
J	LS06-0084	LGO	2006-07-01
K	ELX-DG-011760-1	AL	2012-05-29
-	-	-	-
-	-	-	-

Copyright FCI.

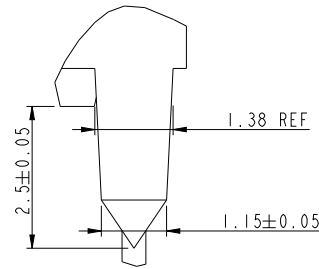
spec ref	--	dr	Terris Huang	20120708	projection	mm	size	A3	scale	4:1	
tolerance std	ASME Y14.5	eng	Andy Lu	20120528	chr	Tian-Zhao Lin	20120605	ecn no	ELX-DG-011760-1	rel level	Released
TOLERANCES UNLESS OTHERWISE SPECIFIED		appr	Pai-Ming Zhang	20130606	product family	METRAL	cat. no.	85697	rev	K	
surface	linear	0.X	±0.3			TITLE METRAL SIGNAL HEADER 1 MOD 4 ROW NARROW BODY STB		Product - Customer Drw		sheet 1 of 3	
	0.XX	±0.10									
	0.XXX	±0.050									
	angular	0°	±2°								



DETAIL 1
SCALE 15:1



DETAIL 2
SCALE 15:1



KEY			
CODE	DIMENSIONS		
	DIM A MATE	85697-10XXX DIM B MATE	85697-70XXX DIM B MATE
1	5.00	4.25	4.25
2	5.75	4.25	4.25
3	6.50	4.25	4.25
4	7.25	4.25	4.25
5	5.00	3.30	3.60
6	5.75	3.30	3.60
7	6.50	3.30	3.60
8	7.25	3.30	3.60
13	8.00	4.25	4.25



Copyright © FCI.

dr	Torres Huang	20120529	projection	mm	size	A3	scale	2:1
eng	Andy Lu	20120529			ecn no	ELX-00-011760-1	rel level	Released
chr	Tian Zhao Lin	20120605						
appr	Pai-Ming Zheng	20120605	product family	METRAL	cat. no.	85697	rev	K
www.fci.com			METRAL SIGNAL HEADER		Product - Customer Draw		sheet 2 of 3	

A

METRAL P/N	ERICSSON P/N	DIM A	DIM B	ROW	CONTACT CODE MOD. I					
					1	2	3	4	5	6
85697-706	RPV 601 11111	5.00	4.25	D	1	1	1	1	1	1
		5.75	4.25	C	2	2	2	2	2	2
85697-706LF	TBD	5.75	4.25	B	2	2	2	2	2	2
		6.50	4.25	A	3	3	3	3	3	3

METRAL P/N	DIM A	DIM B	ROW	CONTACT CODE MOD. I					
				1	2	3	4	5	6
85697-106	5.00	4.25	D	1	1	1	1	1	1
	5.75	4.25	C	2	2	2	2	2	2
85697-106LF	5.75	4.25	B	2	2	2	2	2	2
	6.50	4.25	A	3	3	3	3	3	3



B

METRAL P/N	ERICSSON P/N	DIM A	DIM B	ROW	CONTACT CODE MOD. I					
					1	2	3	4	5	6
85697-707	RPV 601 11111/1	5.00	3.60	D	5	5	5	5	5	5
		5.75	3.60	C	6	6	6	6	6	6
85697-707LF	TBD	5.75	3.60	B	6	6	6	6	6	6
		6.50	3.60	A	7	7	7	7	7	7

METRAL P/N	DIM A	DIM B	ROW	CONTACT CODE MOD. I					
				1	2	3	4	5	6
85697-107	5.00	3.30	D	5	5	5	5	5	5
	5.75	3.30	C	6	6	6	6	6	6
85697-107LF	5.75	3.30	B	6	6	6	6	6	6
	6.50	3.30	A	7	7	7	7	7	7



C

D



Copyright FCI.

dr	Torres Huang	20120529	projection	mm	size	A3	scale	2:1
eng	Andy Lu	20120529			ecn no	ELK-06-011760-1	rel level	Released
chr	Tian Zhao Lin	20120605						
appr	Pai-Ming Zhang	20120606	product family	METRAL	cat. no.	85697	rev	K
			title METRAL SIGNAL HEADER I MOD 4 ROW NARROW BODY STB			Product - Customer Draw sheet 3 of 3		