

Excellent Integrated System Limited

Stocking Distributor

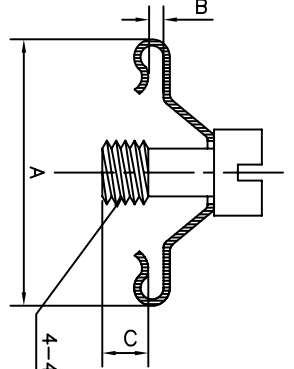
Click to view price, real time Inventory, Delivery & Lifecycle Information:

[FCI](#)

[863005LF](#)

For any questions, you can email us directly:

sales@integrated-circuit.com



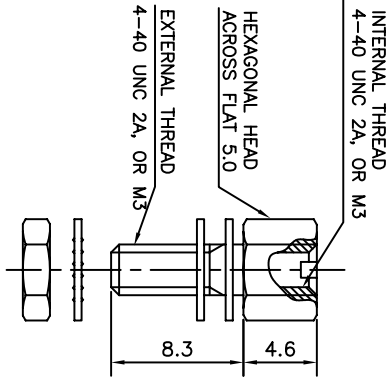
PART NO:		DIMENSIONS		
		A	B	C
8630-15	17 Max	1.40 ^{±0.3}	4.0 Max	
8630-08	14.5 Max	1.40 ^{±0.3}	3.4 Max	
8630-05	14.5 Max	1.10 ^{±0.3}	4.0 Max	
8630-04	14.5 Max	1.70 ^{±0.3}	4.0 Max	
8630-03	17.0 Max	1.1 ^{±0.3}	4.0 Max	

MATERIAL
CLAMP: STEEL
SCREW: STEEL

- NOTE:
- PART NO. INDICATED ARE PLATED REFERS TO SCREW WITH M3 THREAD AS STANDARD VERSION. FOR 4-40 UNC 2A THREAD PLEASE ADD SUFFIX 'N' TO THE CORRESPONDING PART NO.
 - ADD LF SUFFIX FOR LEADFREE PARTNUMBERS

FEMALE SCREW LOCK

8630-01LF	ASSEMBLED FEMALE SCREW LOCK WITH M3 INT & EXT THREAD	
8630-01ALF	ASSEMBLED FEMALE SCREW LOCK WITH M3 EXT & UNC INT THREAD	
8630-01BLF	ASSEMBLED FEMALE SCREW LOCK WITH UNC INT & EXT THREAD	
8630-01CLF	ASSEMBLED FEMALE SCREW LOCK WITH UNC EXT & M3 INT THREAD	
PART NO:	DESCRIPTION	



MATERIAL
FEMALE SCREW: BRASS
NUT: STEEL
WASHERS: STEEL

GENERAL NOTE:
PLATING
FOR NON LF : ZINC HEXAVALENT CHROMATE
FOR LF : ZINC TRIVALENT CHROMATE

LF PART NOS FOR ROHS PRODUCTS
This LF product meets European Union Directives and other country regulations as described in GS-22-008
Packaging as per GS-14-920

ecr no	dr	date	surface	tolerance	projection	product family	title
106-0074	MINI	2006/06/08	ISO 1302	ISO 406 ISO 1101		D-SUB	MALE AND FEMALE SCREW LOCK
106-0191	AMR	2009/09/15	tolerances unless otherwise specified		MM		
106-0292	AMR	2009/12/28	angles		±0.3		
111-0022	AMR	2011/01/28	lineer		scale		
111-0166	PK	2012/06/21	0° ±1°				
			MINI K VANDANATH	2007/08/13			
			engr George V Joseph	2009/09/15			
			chr Abhilesh MR				
			pppl Sudhir Varma	2009/08/15			
sheet	revision						
index	sheet	1					