

## Excellent Integrated System Limited

Stocking Distributor

Click to view price, real time Inventory, Delivery & Lifecycle Information:

[FCI](#)  
[86303925ALF](#)

For any questions, you can email us directly:  
[sales@integrated-circuit.com](mailto:sales@integrated-circuit.com)

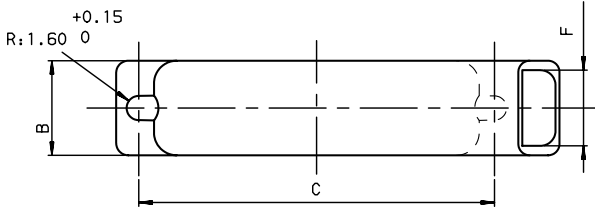
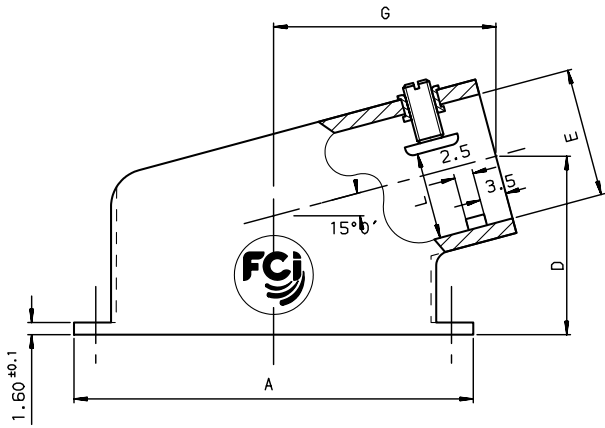
**MATERIAL:**  
Thermoplastic

**TEMPERATURE RANGE:**  
- Climatic category -55° / +125°

**PACKAGING:**  
Per 100 pieces

**COLOUR**  
Black

WITH SCREW AND PLATE STRAIN RELIEF



Part size	Number of contacts	A <sup>+0.9</sup> / <sub>-0.2</sub>	B <sup>+0.10</sup> / <sub>0</sub>	C <sup>+0.05</sup> / <sub>0</sub>	D <sup>+0.10</sup> / <sub>0</sub>	E <sup>+0.10</sup> / <sub>0</sub>	F <sup>+0.10</sup> / <sub>0</sub>	G <sup>+0.10</sup> / <sub>0</sub>	L <sub>max</sub>	L <sub>mini</sub>	PART NUMBER
E	09	30.60	12.50	24.99	19.00	10.50	9.90	18.20	6.60	1.90	86303925ALF
A	15	38.90	12.50	33.32	20.60	12.50	9.90	22.80	8.60	3.90	86303926ALF
B	25	52.80	12.50	47.04	23.60	17.00	9.90	29.40	13.10	8.40	86303927ALF
C	37	69.10	12.50	63.50	29.00	24.00	9.90	37.00	20.10	8.30	86303928ALF
D	50	66.70	15.30	61.11	28.00	24.00	12.70	35.00	20.10	8.30	86303929ALF

**NOTE1:RoHS INFORMATIONS**

- The "LF" product meets European union Directives and other country regulations as described in 65-22-008.
- The product is not intended to be exposed to a manufacturing solder process.
- Plating: Zinc Cr3+, white color.
- Packaging spec: see 65-14-920.

European Views

www.fciconnect.com		surface ISO 1302	tolerance std ISO 406 ISO 1101	projection mm
TOLERANCES UNLESS OTHERWISE SPECIFIED				
Dr	GOISNARD	2006/01/12	ANGULAR	LINEAR
Eng	PESSON	2006/01/12	0.X	±0.1
Chr	LEGARE	2006/01/12	0.XX	±0.1
Appr	LEGARE	2006/01/12	0.XXX	±0.1
Product family			D-SUB	Spec ref -
<b>POTTING PLASTIC HOODS</b> right angle exit				Rev. <b>C</b>
catalog no				C01-8655-1650 CUSTOMER sheet 1 of 1

rev	ech no	dr	date
A	LS05-0123	LGO	2006/01/12
B	LS06-0055	LGO	2006/06/24
C	LS09-0006	MPE	2009/01/06
-	-	-	-
-	-	-	-
-	-	-	-

REV F - 2006-04-17