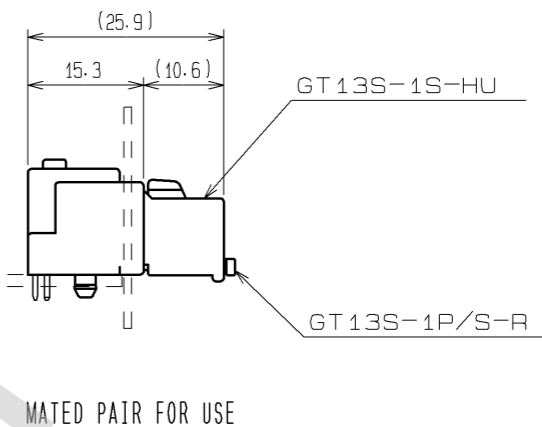
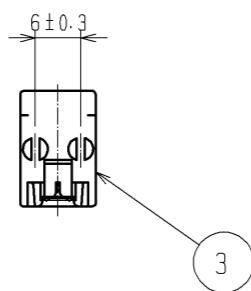
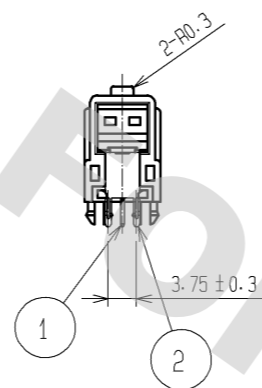
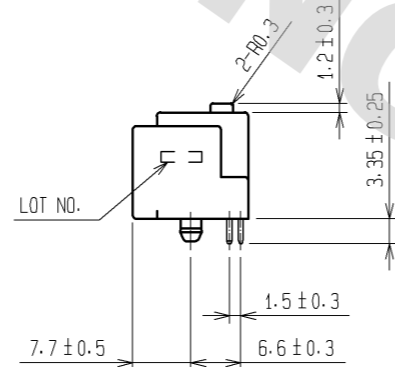
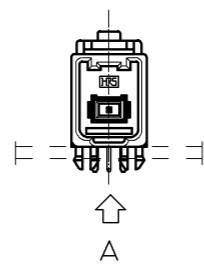
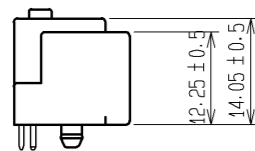
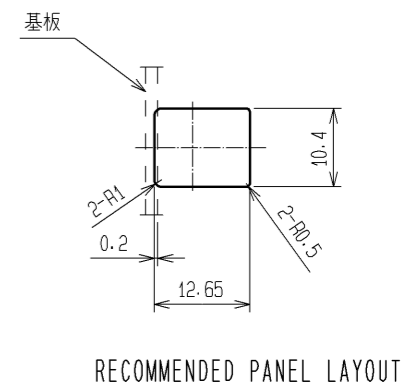
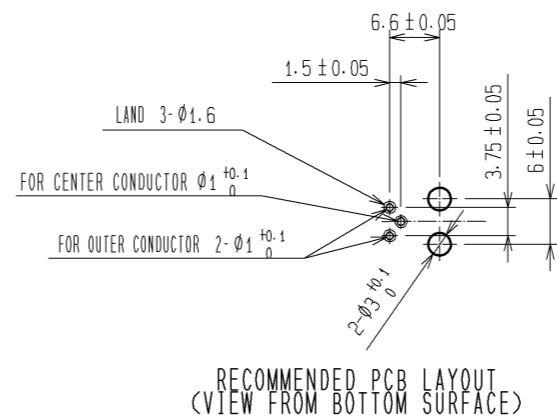
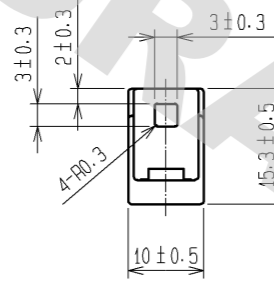


ELV. RoHS



2	COPPER ALLOY	TIN PLATED			
1	COPPER ALLOY	TIN PLATED	3	PBT-M	GREEN
NO.	MATERIAL	FINISH . REMARKS	NO.	MATERIAL	FINISH . REMARKS
UNITS	⊕	SCALE	COUNT	DESCRIPTION OF REVISIONS	
mm		1 : 1	△	DESIGNED	CHECKED
APPROVED : NH. NAKATA		10.05.26	DRAWING NO. EDC3-166121-02		
CHECKED : NH. NAKATA		10.05.26	PART NO. GT13SHA-1PP-DS(35)		
DESIGNED : TK. SHISHIKURA		10.05.26	CODE NO. CL763-0062-8-35		
DRAWN : TK. SHISHIKURA		10.05.26	△ 1/1		

DRAWING FOR REFERENCE: This is subject to change without notice
05/21/2015