

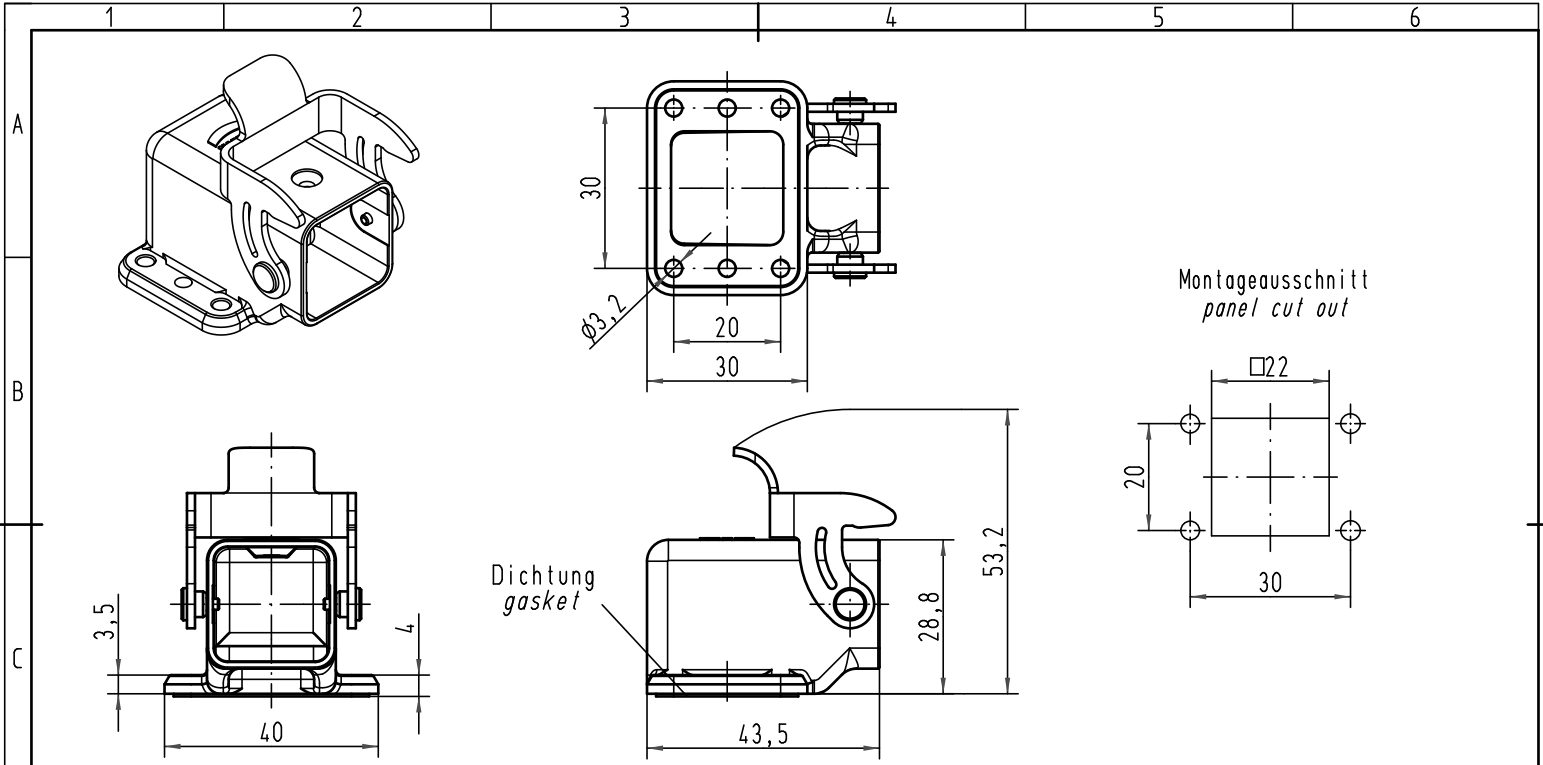
Excellent Integrated System Limited



Stocking Distributor

Click to view price, real time Inventory, Delivery & Lifecycle Information:

[Harting](#)
[09200030810](#)

For any questions, you can email us directly:
sales@integrated-circuit.com



 All Dimensions in mm Original Size DIN A 4		Techn. Character.			Nicht tolerierte Maß/Free size tolerances	
			Dat. 28.09.09	Name Spr	Maßstab/Scale 1:1	Han 3A-agw-QB Anbaugehäuse-Metall-grau housing bulkhead mounting-metal-grey
			Insp.	Grie		
			Stand.			
B	18.10.10	Rull	HARTING Electric GmbH & Co. KG D-32339 Espelkamp			TB 09 20 003 0810
A						
Mod.	Dat.	Name			Sub.	