

Excellent Integrated System Limited

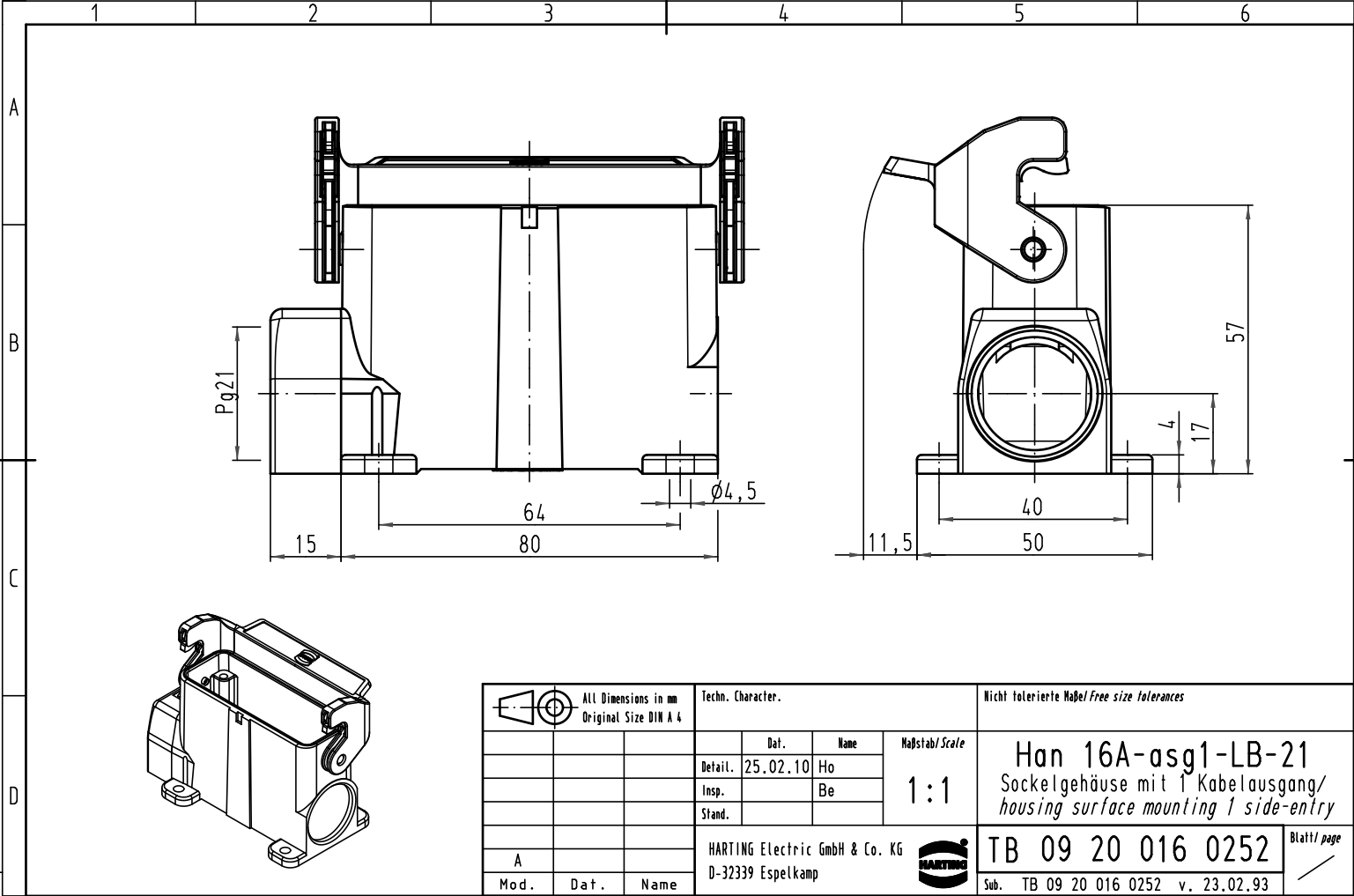
Stocking Distributor



Click to view price, real time Inventory, Delivery & Lifecycle Information:

[Harting](#)
[09200160252](#)

For any questions, you can email us directly:
sales@integrated-circuit.com

Alle Rechte vorbehalten/ All rights reserved



| | | | | | | | | |
|--|------|------|--------------------------------|----------|----|---|---|--|
|  All Dimensions in mm Original Size DIN A 4 | | | Techn. Character. | | | Nicht tolerierte Maß/Free size tolerances | | |
| | | | Detail. | 25.02.10 | Ho | Maßstab/Scale 1:1 | Han 16A-ASG1-LB-21 Sockelgehäuse mit 1 Kabelausgang/ housing surface mounting 1 side-entry | |
| | | | Insp. | | Be | | | |
| | | | Stand. | | | | | |
| A | | | HARTING Electric GmbH & Co. KG | | |  | TB 09 20 016 0252 | |
| Mod. | Dat. | Name | D-32339 Espelkamp | | | | Sub. TB 09 20 016 0252 v. 23.02.93 | |

Blatt/ page