

Excellent Integrated System Limited

Stocking Distributor

Click to view price, real time Inventory, Delivery & Lifecycle Information:

[Harting](#)

[09260243411](#)

For any questions, you can email us directly:

sales@integrated-circuit.com

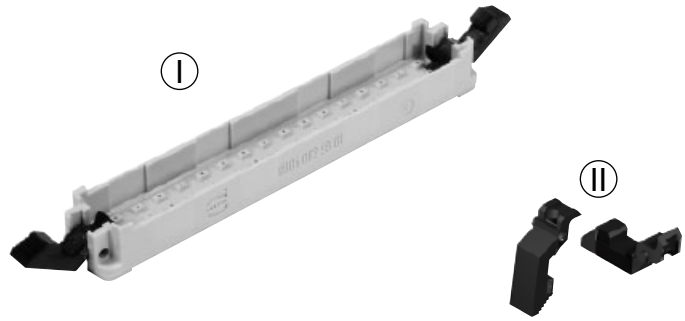
Pin shroud



Number of contacts

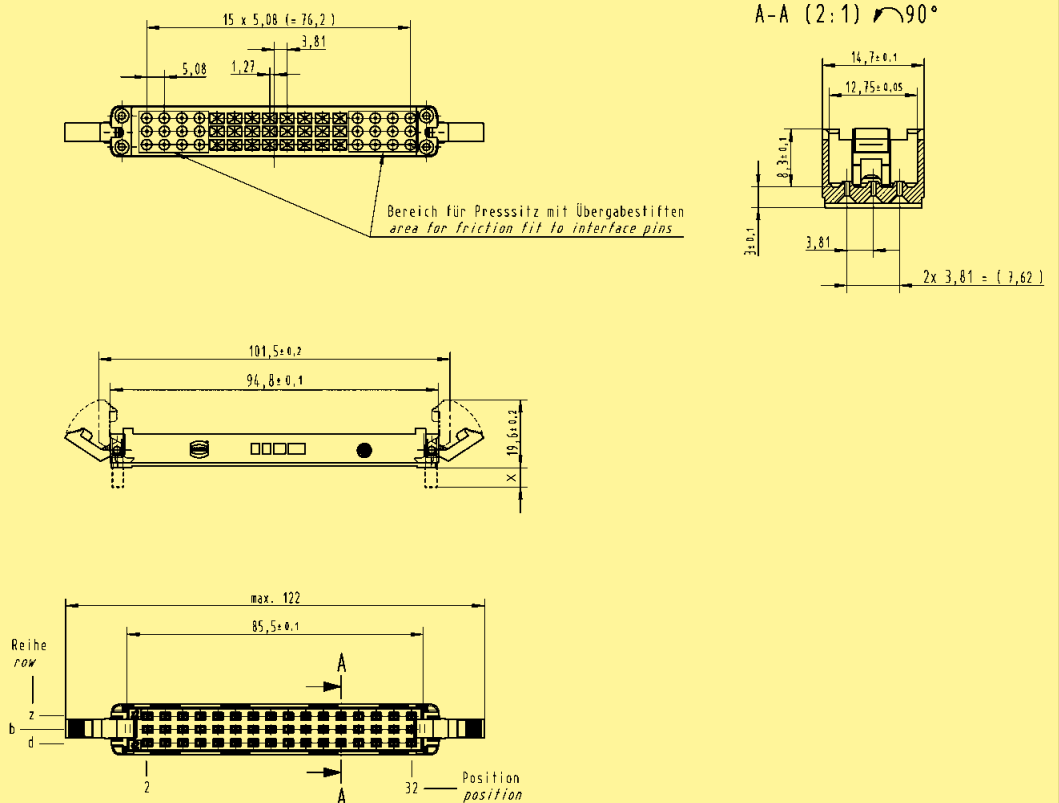
48

Pin shrouds
for type F "low profile"
with press-in pins 13 mm



Identification	pcb-thickness ± 10 %	Dimension X ± 0.1	Part No.
Pin shrouds			
Ⓚ with locking levers ²⁾ and press-in fixing	1.6 - 2.4	1.6	09 06 002 9902
Ⓚ without locking levers for screw fixing	1.6 - 2.4	1.6	09 06 002 9912
Ⓚ with locking levers ²⁾ and press-in fixing	3.2 - 4.0	0	09 06 002 9901
Ⓚ without locking levers for screw fixing	3.2 - 4.0	0	09 06 002 9911
Ⓜ Locking lever for female connector type F ¹⁾			09 06 001 9946

Dimensions



Dimensions in mm

DIN Power
up to 6 A

¹⁾ order 2 pieces per connector