

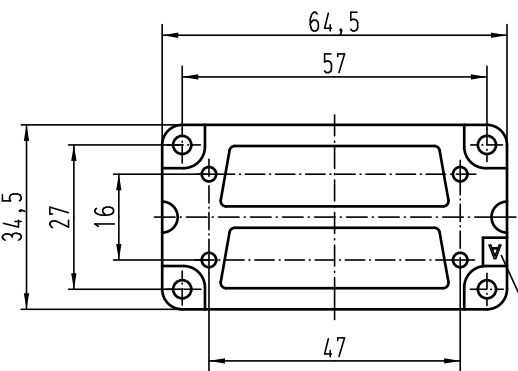
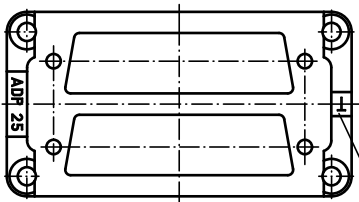
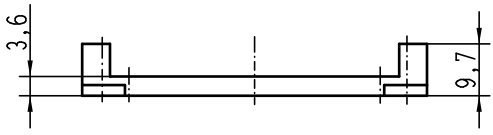
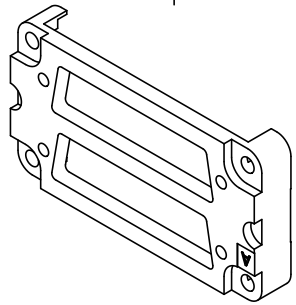
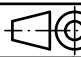
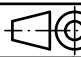
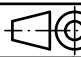
## Excellent Integrated System Limited

Stocking Distributor

Click to view price, real time Inventory, Delivery & Lifecycle Information:

[Harting](#)  
[09300009972](#)

For any questions, you can email us directly:  
[sales@integrated-circuit.com](mailto:sales@integrated-circuit.com)

1	2	3	4	5	6																																																	
A			<p>Rückansicht back view</p> 																																																			
B	<p>Einbau im Anbaugehäuse: Kennbuchstabe "A" ist sichtbar Mounting in housing: character "A" visible</p>		<p>Einbau im Tüllengehäuse: Kennbuchstabe "T" ist sichtbar Mounting in hood: character "T" visible</p>																																																			
C			<p>Zum Lieferumfang gehören 4 x Schrauben ISO 1481-St2,9x6,5-F 4 x Schrauben ISO 1207-M3x14 <i>belongs to range of delivery</i> 4 x screws ISO 1481-St2,9x6,5-F 4 x screws ISO 1207-M3x14</p>																																																			
D			<table border="1" style="width:100%; border-collapse: collapse;"> <tr> <td colspan="2" style="text-align: center;">                  All Dimensions in mm Original Size DIN A 4             </td> <td colspan="3" style="text-align: center;">Techn. Character.</td> <td colspan="2" style="text-align: center;">Nicht tolerierte Maß/Free size tolerances</td> </tr> <tr> <td></td> <td></td> <td></td> <td style="text-align: center;">Dat.</td> <td style="text-align: center;">Name</td> <td colspan="2" style="text-align: center;">Maßstab/Scale</td> </tr> <tr> <td></td> <td></td> <td></td> <td style="text-align: center;">Detail.</td> <td style="text-align: center;">08.06.11</td> <td style="text-align: center;">Rull</td> <td rowspan="3" style="text-align: center; vertical-align: middle; font-size: 2em;">1:1</td> </tr> <tr> <td></td> <td></td> <td></td> <td style="text-align: center;">Insp.</td> <td style="text-align: center;"></td> <td style="text-align: center;">Sch</td> </tr> <tr> <td></td> <td></td> <td></td> <td style="text-align: center;">Stand.</td> <td style="text-align: center;"></td> <td style="text-align: center;"></td> </tr> <tr> <td style="text-align: center;">A</td> <td colspan="2"></td> <td colspan="3" style="text-align: center;">HARTING Electric GmbH &amp; Co. KG</td> <td colspan="2" style="text-align: center;">TB 09 30 000 9972</td> </tr> <tr> <td style="text-align: center;">Mod.</td> <td style="text-align: center;">Dat.</td> <td style="text-align: center;">Name</td> <td colspan="3" style="text-align: center;">D-32339 Espelkamp</td> <td colspan="2" style="text-align: center;">Sub. TB 09 30 000 9972 v. 05.05.99</td> </tr> </table>			 All Dimensions in mm Original Size DIN A 4		Techn. Character.			Nicht tolerierte Maß/Free size tolerances					Dat.	Name	Maßstab/Scale					Detail.	08.06.11	Rull	1:1				Insp.		Sch				Stand.			A			HARTING Electric GmbH & Co. KG			TB 09 30 000 9972		Mod.	Dat.	Name	D-32339 Espelkamp			Sub. TB 09 30 000 9972 v. 05.05.99	
 All Dimensions in mm Original Size DIN A 4		Techn. Character.			Nicht tolerierte Maß/Free size tolerances																																																	
			Dat.	Name	Maßstab/Scale																																																	
			Detail.	08.06.11	Rull	1:1																																																
			Insp.		Sch																																																	
			Stand.																																																			
A			HARTING Electric GmbH & Co. KG			TB 09 30 000 9972																																																
Mod.	Dat.	Name	D-32339 Espelkamp			Sub. TB 09 30 000 9972 v. 05.05.99																																																