

Excellent Integrated System Limited

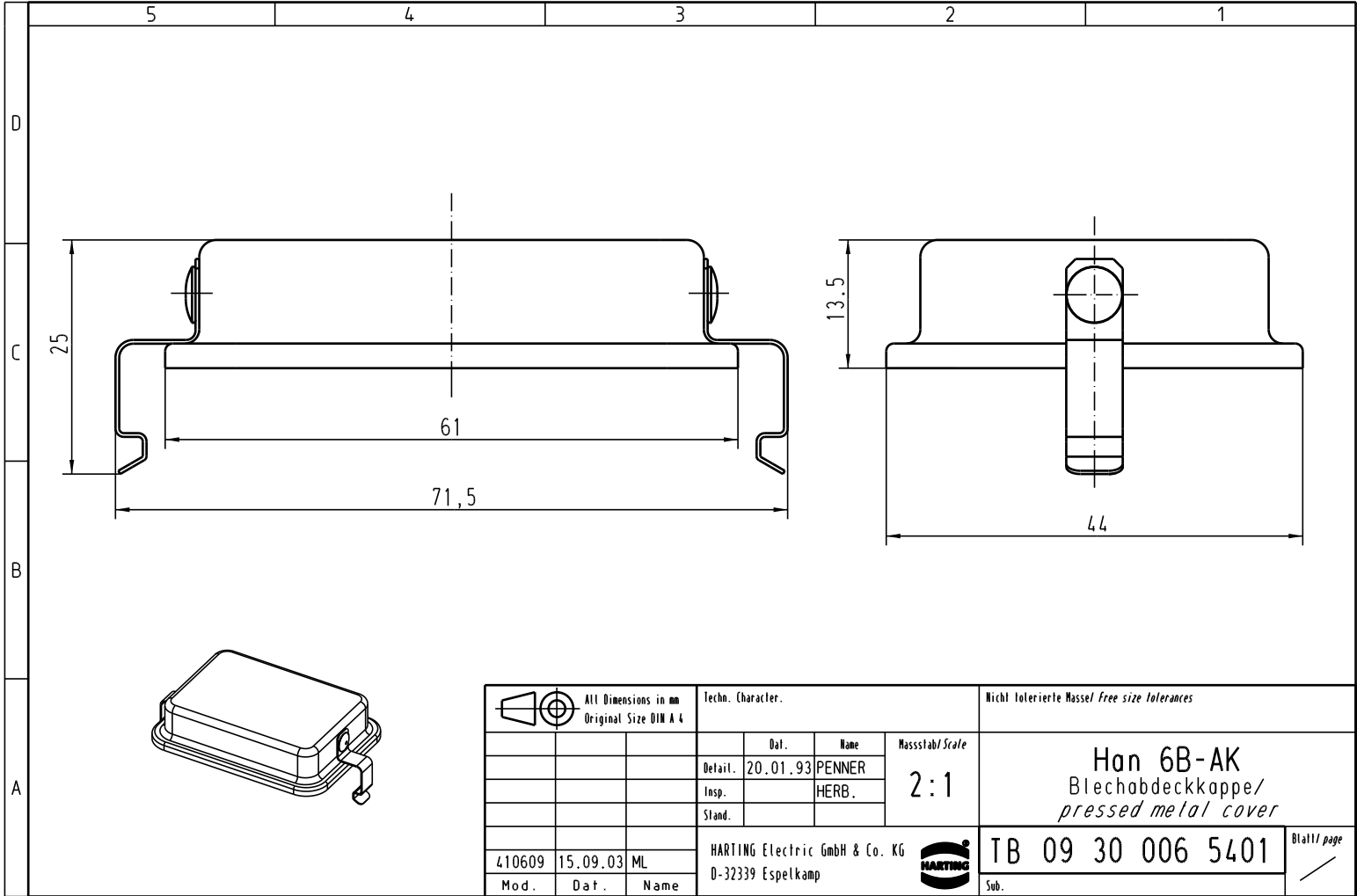
Stocking Distributor

Click to view price, real time Inventory, Delivery & Lifecycle Information:

[Harting](#)
[09300065401](#)

For any questions, you can email us directly:
sales@integrated-circuit.com

Alle Rechte vorbehalten/ All rights reserved



All Dimensions in mm Original Size DIN A 4			Techn. Character.			Nicht lotierte Masse/ free size tolerances			
				Dat.	Name	Maststab/Scale 2:1	Han 6B-AK Blechabdeckkappe/ pressed metal cover		
			Detail.	20.01.93	PENNER				
			Insp.		HERB.				
			Stand.						
410609	15.09.03	ML	HARTING Electric GmbH & Co. KG				TB 09 30 006 5401		Blatt/ page /
Mod.	Dat.	Name	D-32339 Espelkamp				Sub.		