

## Excellent Integrated System Limited

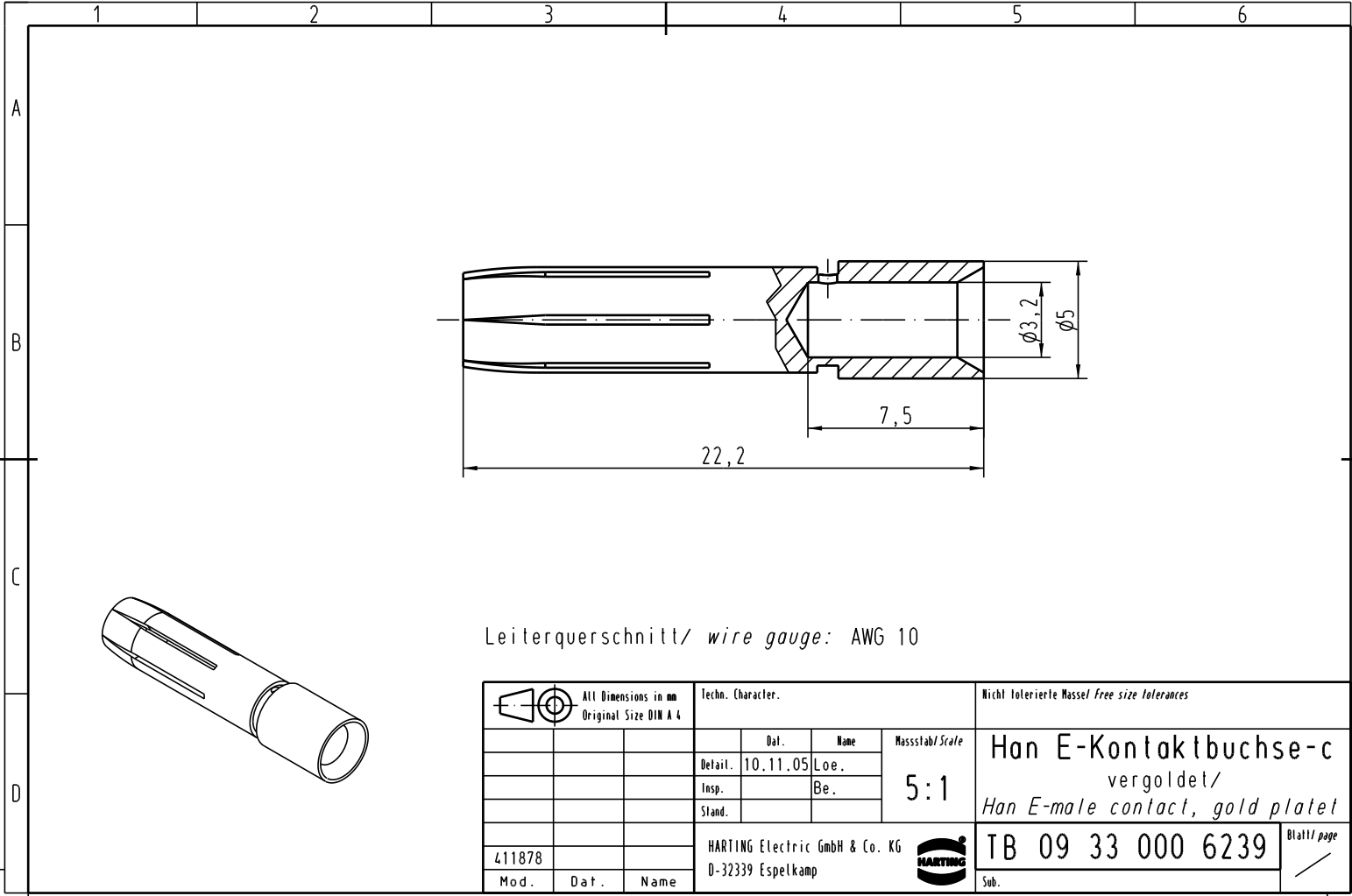
Stocking Distributor

Click to view price, real time Inventory, Delivery & Lifecycle Information:



[Harting](#)  
[09330006239](#)

For any questions, you can email us directly:  
[sales@integrated-circuit.com](mailto:sales@integrated-circuit.com)

Alle Rechte vorbehalten/ All rights reserved



Leiterquerschnitt/ wire gauge: AWG 10

|  |  |  |   |          |      |   |                          |
|--|--|--|---|----------|------|---|--------------------------|
|  All Dimensions in mm<br>Original Size DIN A 4 |  |  | Techn. Character.                                   |          |      | Nicht tolerierte Masse/ free size tolerances  |                          |
|  |  |  |   |          |      |   |                          |
|  |  |  | Detail.   | 10.11.05 | Loe. | <b>Han E-Kontaktbuchse-c</b><br>vergoldet/<br><i>Han E-male contact, gold plated</i>  |                          |
|  |  |  | Insp.   |          | Be.  |   |                          |
|  |  |  | Stand.  |          |      |   |                          |
|  |  |  | HARTING Electric GmbH & Co. KG<br>D-32339 Espelkamp |          |      |  | <b>TB 09 33 000 6239</b> |
| 411878   |  |  | Mod.    Dat.    Name                                |          |      |   | Sub.                     |

Blatt/ page