

## Excellent Integrated System Limited

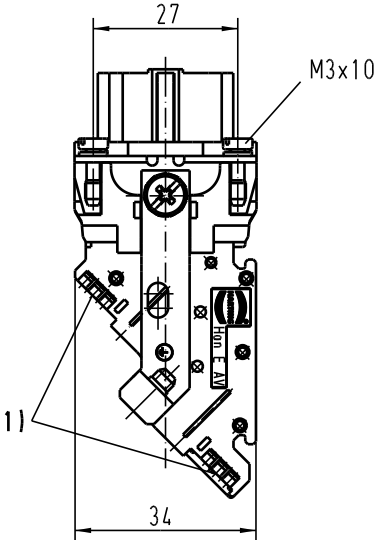
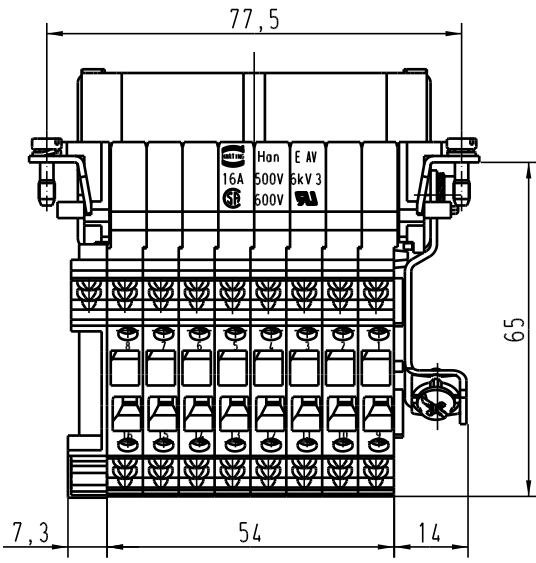
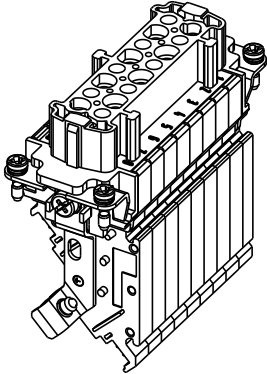




Stocking Distributor

Click to view price, real time Inventory, Delivery & Lifecycle Information:

[Harting](#)  
[09330164726](#)

For any questions, you can email us directly:  
[sales@integrated-circuit.com](mailto:sales@integrated-circuit.com)

Alle Rechte vorbehalten/ All rights reserved

5	4	3	2	1																					
D																									
C	<p>1) Aufnahme für Bezeichnungsschilder (max. 6-stellig)          slots for designation strips (max. 6 digits)</p>																								
B																									
A	 <p>All Dimensions in mm Original Size DIN A 4</p>		<table border="1" style="width:100%; border-collapse: collapse;"> <tr> <th colspan="3">Techn. Character.</th> <th colspan="2">Nicht tolerierte Masse/ free size tolerances</th> </tr> <tr> <td></td> <td>Dat.</td> <td>Name</td> <td rowspan="3" style="text-align: center; vertical-align: middle;">1:1</td> <td rowspan="3" style="text-align: center; vertical-align: middle;">HAN 16 E-AV-F-SK Anschlussverteiler links terminal block connector left</td> </tr> <tr> <td></td> <td>Detail.</td> <td>17.03.93 WILD.</td> </tr> <tr> <td></td> <td>Insp.</td> <td>HERB.</td> </tr> <tr> <td></td> <td>Stand.</td> <td></td> <td></td> <td></td> </tr> </table>		Techn. Character.			Nicht tolerierte Masse/ free size tolerances			Dat.	Name	1:1	HAN 16 E-AV-F-SK Anschlussverteiler links terminal block connector left		Detail.	17.03.93 WILD.		Insp.	HERB.		Stand.			
Techn. Character.			Nicht tolerierte Masse/ free size tolerances																						
	Dat.	Name	1:1	HAN 16 E-AV-F-SK Anschlussverteiler links terminal block connector left																					
	Detail.	17.03.93 WILD.																							
	Insp.	HERB.																							
	Stand.																								
<table border="1" style="width:100%; border-collapse: collapse;"> <tr> <td style="width: 33%;">410278</td> <td style="width: 33%;">05.01.05</td> <td style="width: 33%;">DY</td> </tr> <tr> <td>Mod.</td> <td>Dat.</td> <td>Name</td> </tr> </table>		410278	05.01.05	DY	Mod.	Dat.	Name	<table border="1" style="width:100%; border-collapse: collapse;"> <tr> <td colspan="2">HARTING Electric GmbH &amp; Co. KG</td> <td rowspan="2" style="text-align: center;"></td> <td rowspan="2" style="text-align: center; vertical-align: middle;">TB 09 33 016 4726</td> <td rowspan="2" style="text-align: center; vertical-align: middle;">Blatt/ page</td> </tr> <tr> <td colspan="2">D-32339 Espelkamp</td> <td style="text-align: center;">Sub.</td> </tr> </table>		HARTING Electric GmbH & Co. KG			TB 09 33 016 4726	Blatt/ page	D-32339 Espelkamp		Sub.								
410278	05.01.05	DY																							
Mod.	Dat.	Name																							
HARTING Electric GmbH & Co. KG			TB 09 33 016 4726	Blatt/ page																					
D-32339 Espelkamp					Sub.																				