

Excellent Integrated System Limited

Stocking Distributor

Click to view price, real time Inventory, Delivery & Lifecycle Information:

[Harting](#)
[09340030204](#)

For any questions, you can email us directly:
sales@integrated-circuit.com

Alle Rechte vorbehalten/ All rights reserved

5

4

3

2

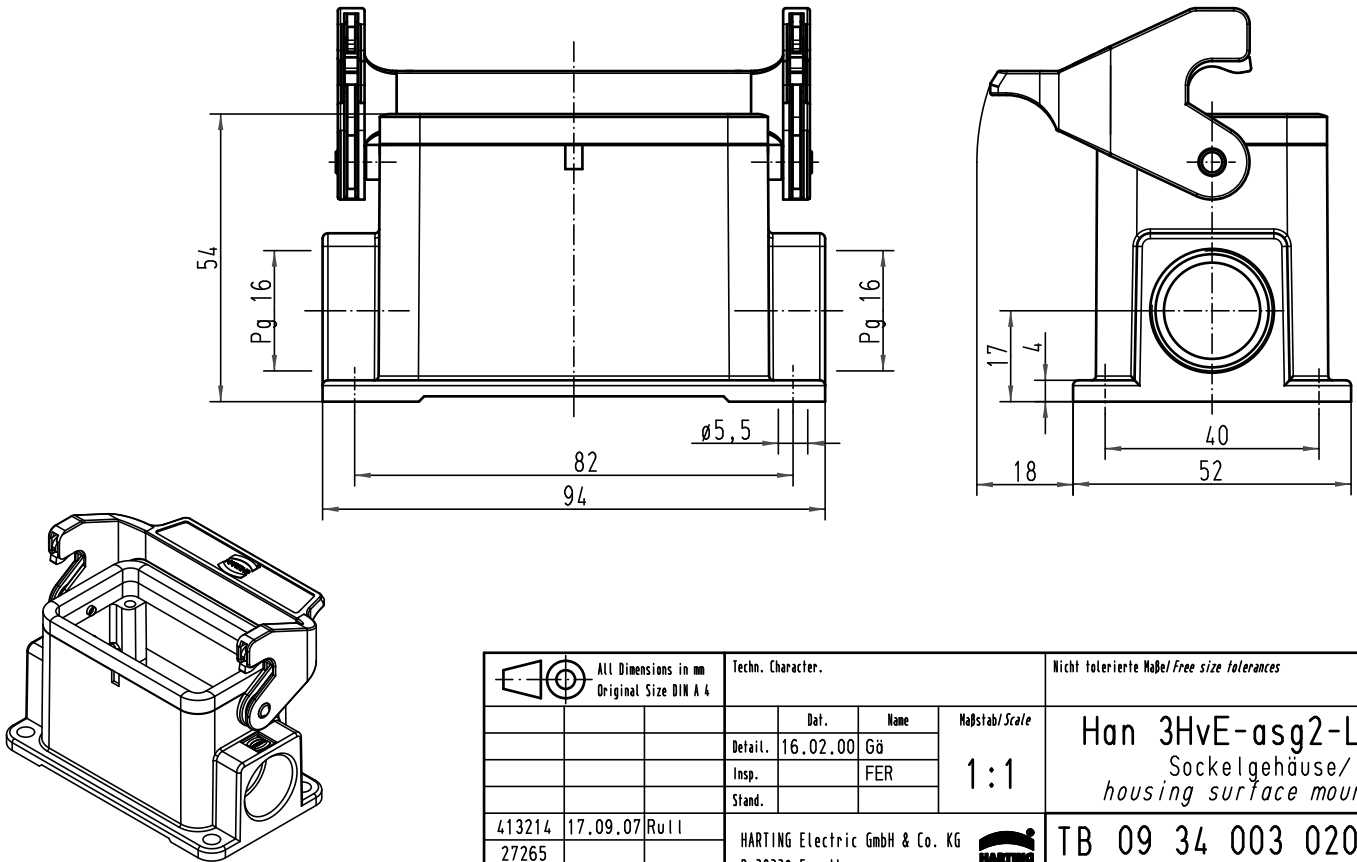
1

D

C

B

A



All Dimensions in mm Original Size DIN A 4		Techn. Character.			Nicht tolerierte Maß/Free size tolerances		
			Dat.	Name	Maßstab/Scale 1:1	Han 3HvE-asg2-LB-16 Sockelgehäuse/ housing surface mounting	
			Detail.	Gü			
			Insp.	FER			
			Stand.				
413214	17.09.07	Rull	HARTING Electric GmbH & Co. KG D-32339 Espelkamp			TB 09 34 003 0204	Blatt/ page /
27265							
Mod.	Dat.	Name				Sub. TB 09 34 0.. 020. v. 11.02.93	