

Excellent Integrated System Limited

Stocking Distributor

Click to view price, real time Inventory, Delivery & Lifecycle Information:

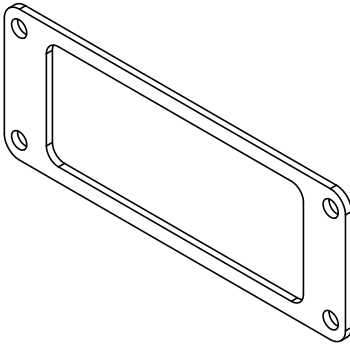
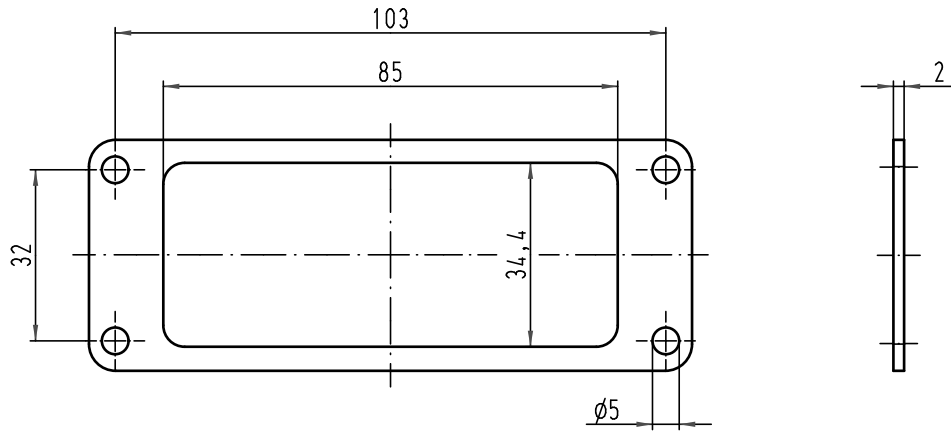
[Harting](#)

[09370009948](#)

For any questions, you can email us directly:

sales@integrated-circuit.com

Alle Rechte vorbehalten/ All rights reserved



All Dimensions in mm Original Size DIN A 4			Techn. Character.			Nicht tolerierte Maß/Free size tolerances		
						Maßstab/Scale 1:1	Flanschgummidichtung <i>gasket</i> Han 16B/M	
			Detail.	11.12.08	Bor			
			Insp.		Be			
			Stand.					
A			HARTING Electric GmbH & Co. KG				TB 09 37 000 9948	
Mod.	Dat.	Name	D-32339 Espelkamp					
						Sub.		