

Excellent Integrated System Limited

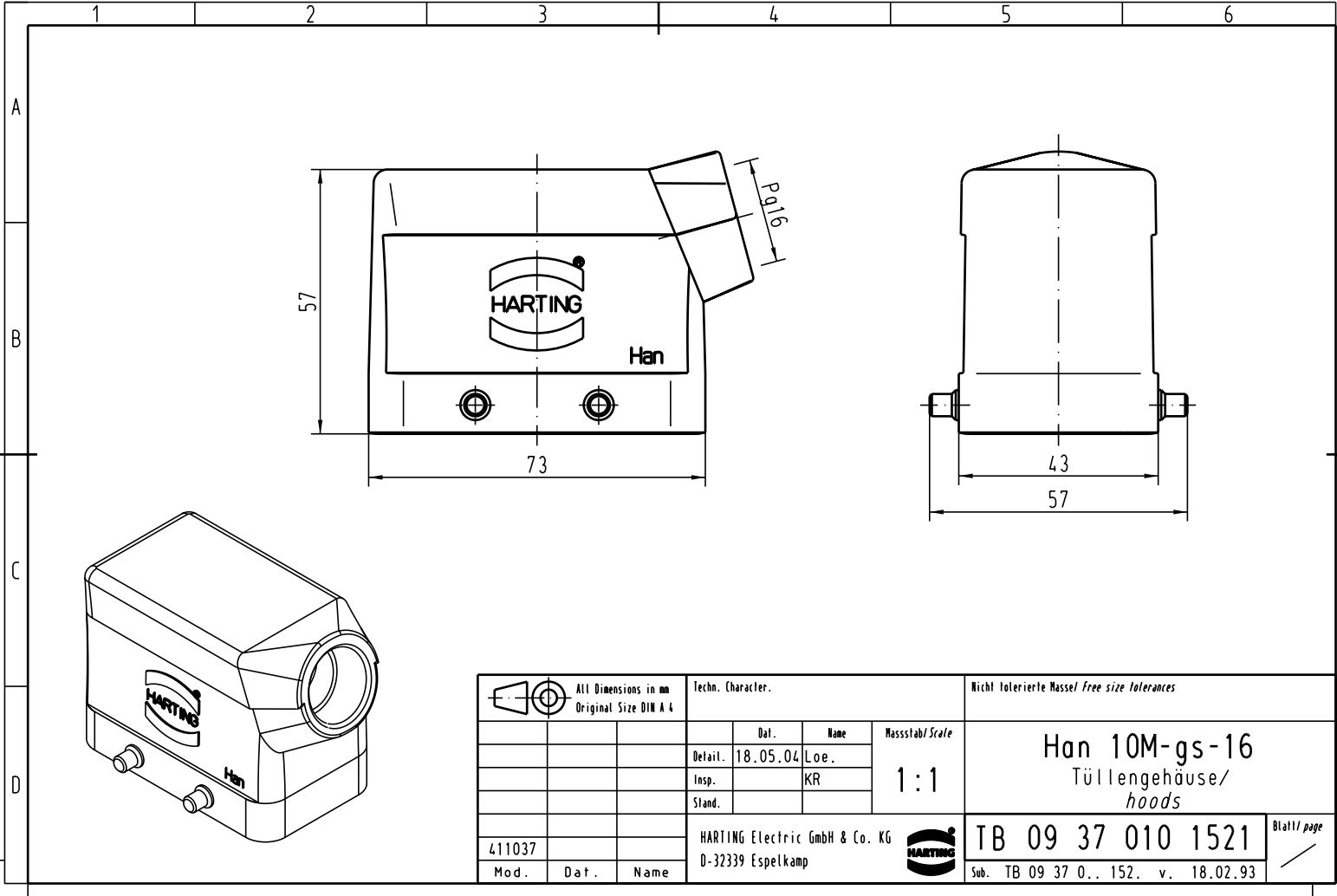
Stocking Distributor

Click to view price, real time Inventory, Delivery & Lifecycle Information:

[Harting](#)
[09370101521](#)

For any questions, you can email us directly:
sales@integrated-circuit.com

Alle Rechte vorbehalten/ All rights reserved



All Dimensions in mm Original Size DIN A 4			Techn. Character.			Nicht tolerierte Masel free size tolerances		
				Dat.	Name	Massstab/Scale	Han 10M-gs-16 Tüllengehäuse/ hoods	
			Detail.	18.05.04	Loe.			
			Insp.		KR			
			Stand.			1:1	TB 09 37 010 1521	
411037			HARTING Electric GmbH & Co. KG					
Mod.	Dat.	Name	D-32339 Espelkamp					

Bla11/ page