

## Excellent Integrated System Limited

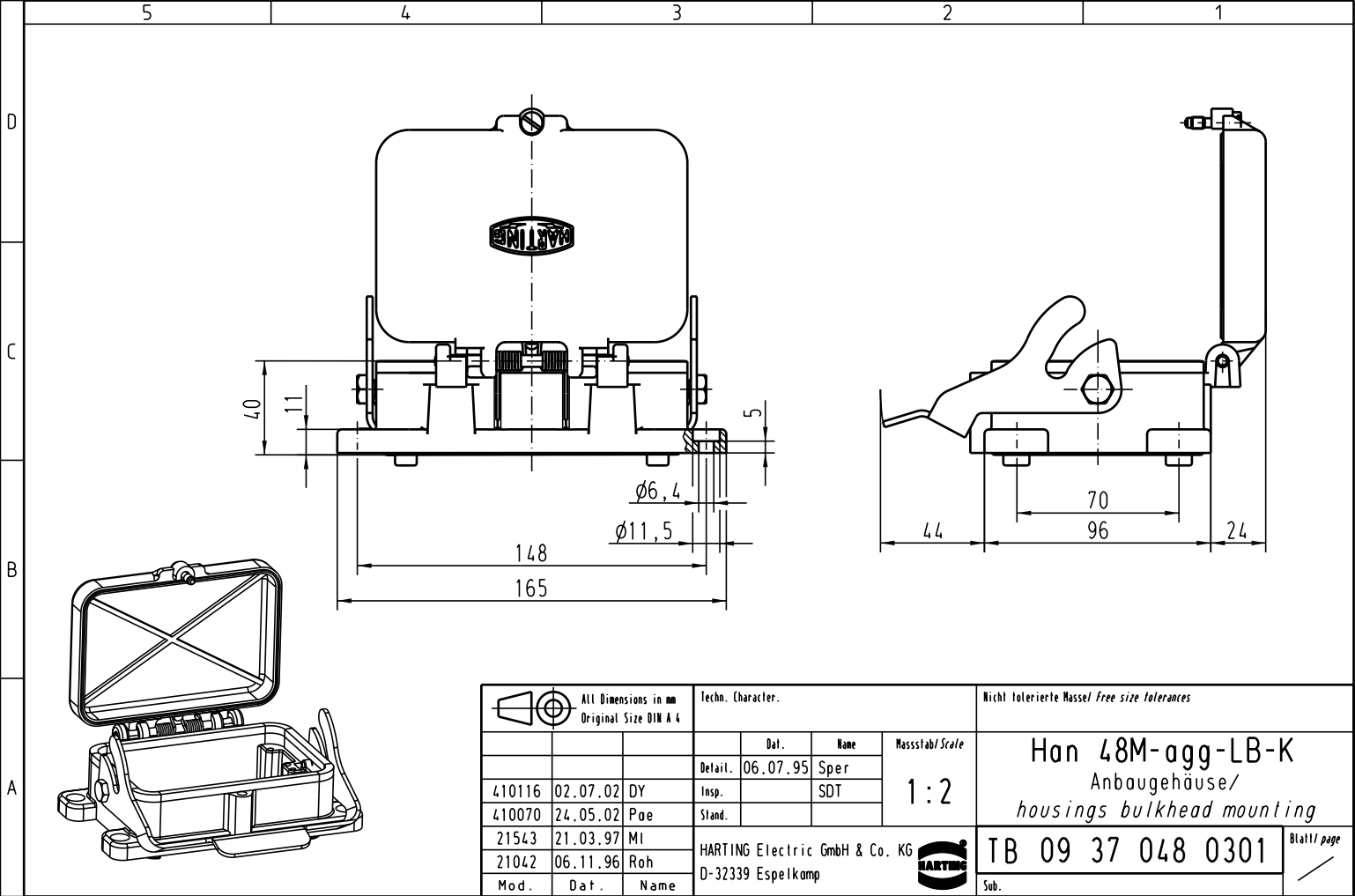
Stocking Distributor



Click to view price, real time Inventory, Delivery & Lifecycle Information:

[Harting](#)  
[09370480301](#)

For any questions, you can email us directly:  
[sales@integrated-circuit.com](mailto:sales@integrated-circuit.com)

Alle Rechte vorbehalten/ All rights reserved



 All Dimensions in mm Original Size DIN A 4			Techn. Character.			Nicht tolerierte Masse/ free size tolerances		
			Dat.	Name	Massestab/Scale	<b>Han 48M-agg-LB-K</b> Anbaugehäuse/ <i> housings bulkhead mounting</i>		
			Detail.	Sper				
			Insp.	SDT				
410116	02.07.02	DY			1:2			
410070	24.05.02	Pae	Stand.					
21543	21.03.97	MI	HARTING Electric GmbH & Co. KG D-32339 Espelkamp			<b>TB 09 37 048 0301</b> Sub.		
21042	06.11.96	Roh						
Mod.	Dat.	Name						

Bla11/ page