

## Excellent Integrated System Limited

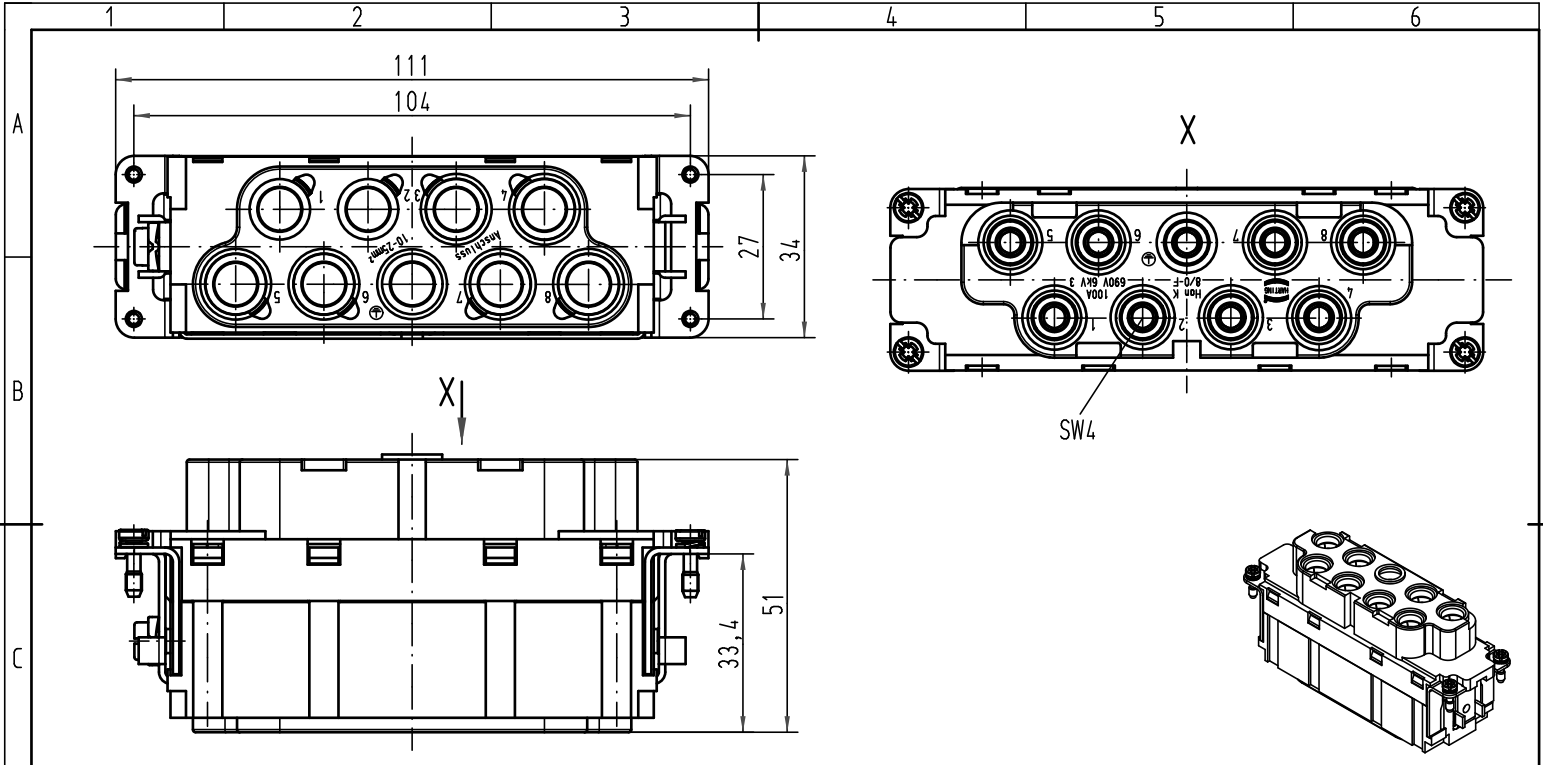
Stocking Distributor



Click to view price, real time Inventory, Delivery & Lifecycle Information:

[Harting](#)  
[09380082753](#)

For any questions, you can email us directly:  
[sales@integrated-circuit.com](mailto:sales@integrated-circuit.com)

Alle Rechte vorbehalten/ All rights reserved



 All Dimensions in mm Original Size DIN A 4			Techn. Character.			Nicht tolerierte Maß/Free size tolerances	
			Detail.	18.11.08	Rull	<b>1:1</b>	<b>Han K8/0-F</b> 10-25mm <sup>2</sup>
			Insp.		Loe.		
			Stand.				
A			HARTING Electric GmbH & Co. KG D-32339 Espelkamp				<b>TB 09 38 008 2753</b>
Mod.	Dat.	Name					