

Excellent Integrated System Limited

Stocking Distributor

Click to view price, real time Inventory, Delivery & Lifecycle Information:

[Sanken](#)
[STA457C](#)

For any questions, you can email us directly:

sales@integrated-circuit.com

STA457C

PNP + NPN Darlington
 H-bridge

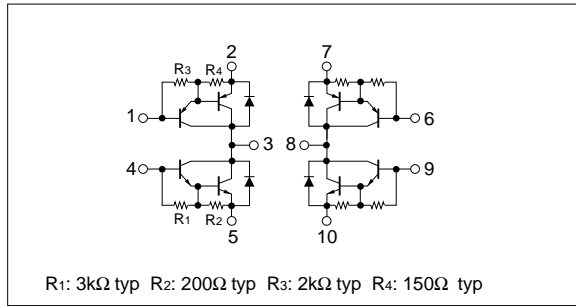
External dimensions STA (10-pin)

Absolute maximum ratings

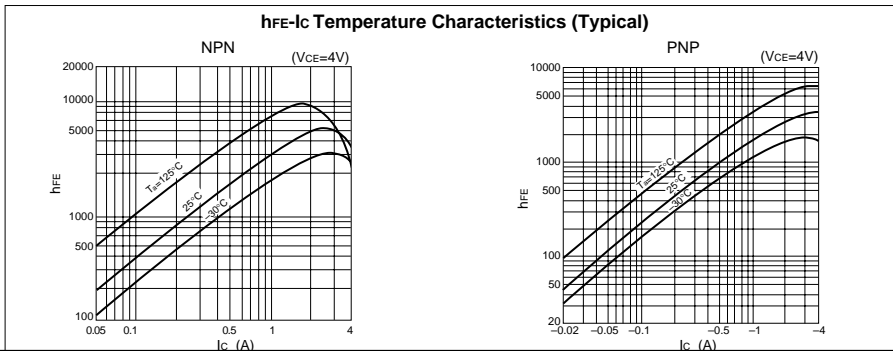
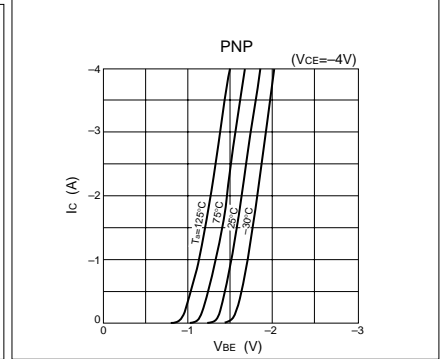
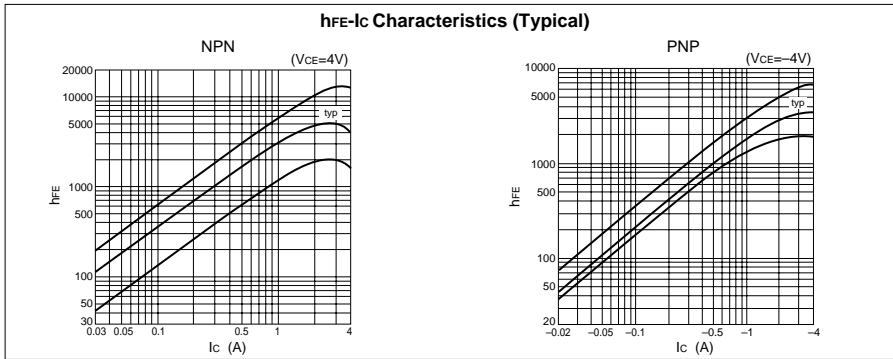
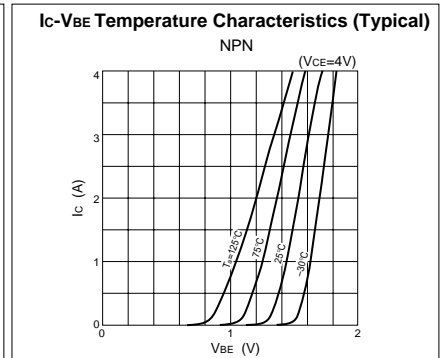
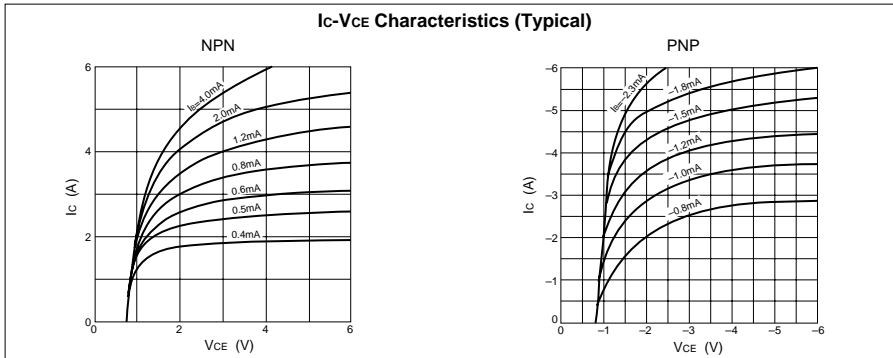
(Ta=25°C)

Symbol	Ratings		Unit
	NPN	PNP	
V _{CBO}	60	-60	V
V _{CEO}	60	-60	V
V _{EBO}	6	-6	V
I _C	4	-4	A
I _{CP}	8 (PW≤10ms, Du≤50%)	-8 (PW≤10ms, Du≤50%)	A
P _T	4 (Ta=25°C)		W
	20 (Tc=25°C)		
T _j	150		°C
T _{stg}	-40 to +150		°C

Equivalent circuit diagram



Characteristic curves



STA457C

Electrical characteristics

($T_a=25^\circ\text{C}$)

Symbol	NPN					PNP				
	Specification			Unit	Conditions	Specification			Unit	Conditions
	min	typ	max			min	typ	max		
I_{CBO}			10	μA	$V_{CB}=60\text{V}$			-10	μA	$V_{CB}=-60\text{V}$
I_{EBO}			10	mA	$V_{EB}=6\text{V}$			-10	mA	$V_{EB}=-6\text{V}$
V_{CEO}	60			V	$I_C=10\text{mA}$	-60			V	$I_C=-10\text{mA}$
h_{FE}	2000				$V_{CE}=4\text{V}, I_C=2\text{A}$	2000				$V_{CE}=-4\text{V}, I_C=-2\text{A}$
$V_{CE}(\text{sat})$			1.5	V	$I_C=2\text{A}, I_B=4\text{mA}$			-1.5	V	$I_C=-2\text{A}, I_B=-4\text{mA}$
$V_{BE}(\text{sat})$			2.0	V				-2.0	V	
V_{FEC}			1.6	V	$I_{FEC}=2\text{A}$			-1.6	V	$I_{FEC}=-2\text{A}$

Characteristic curves

