



Distributor of BUD Industries, Inc.: Excellent Integrated System Limited

Datasheet of RC-7761-PR - CASTER LOCKING BRAKE 1 PAIR

Contact us: sales@integrated-circuit.com Website: www.integrated-circuit.com

Excellent Integrated System Limited

Stocking Distributor

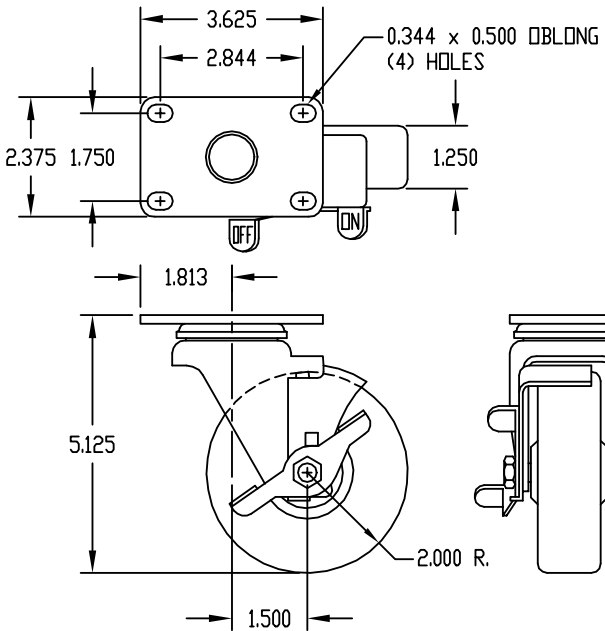
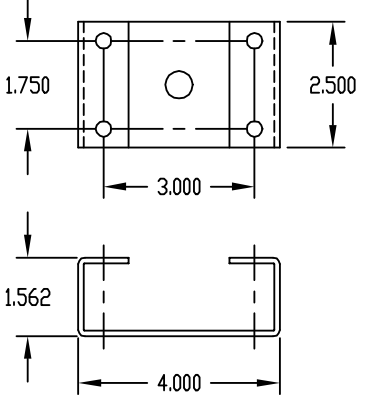
Click to view price, real time Inventory, Delivery & Lifecycle Information:

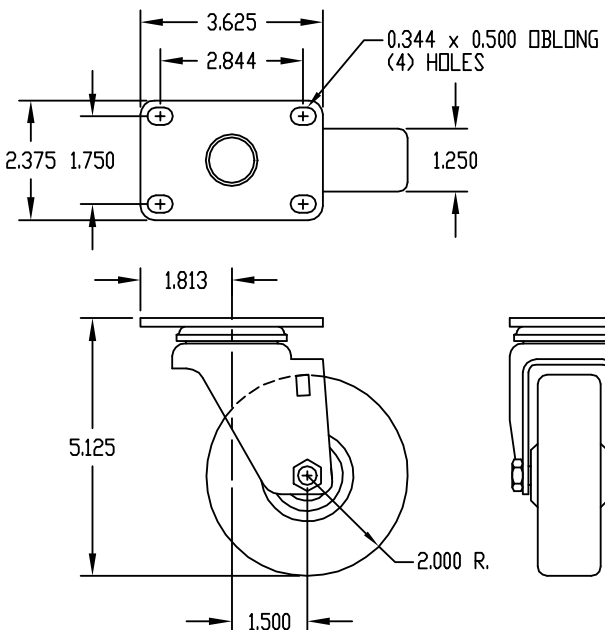
[BUD Industries, Inc.](#)

[RC-7761-PR](#)

For any questions, you can email us directly:

sales@integrated-circuit.com

PART NAME	SWIVEL CASTER WITH BRAKE	PART No.	RC-7761
	<p><u>LOAD RATING:</u> 240 LBS.</p> <p><u>WHEEL MATERIAL:</u> HARD TREAD RUBBER</p> <p>CASTERS ARE PACKAGED IN PAIRS.</p>  <p>SWIVEL RADIUS: 3.500</p> <p>CASTERS WILL RAISE SERIES-60 & -2000 CABINET RACKS BY 4.000 INCHES AND RAISE ECONDMIZER CABINET RACKS BY 4.125 INCHES.</p>		<p><u>MOUNTING BRACKET</u></p> <p><u>MATERIAL:</u> 12 GA. STEEL</p> <p><u>FINISH:</u> FLAT BLACK SMOOTH</p> 

PART NAME	SWIVEL CASTER	PART No.	RC-7762
	<p><u>LOAD RATING:</u> 240 LBS.</p> <p><u>WHEEL MATERIAL:</u> HARD TREAD RUBBER</p> <p>CASTERS ARE PACKAGED IN PAIRS.</p>  <p>SWIVEL RADIUS: 3.500</p> <p>CASTERS WILL RAISE SERIES-60 & -2000 CABINET RACKS BY 4.000 INCHES AND RAISE ECONDMIZER CABINET RACKS BY 4.125 INCHES.</p>		<p><u>MOUNTING BRACKET</u></p> <p><u>MATERIAL:</u> 12 GA. STEEL</p> <p><u>FINISH:</u> FLAT BLACK SMOOTH</p> 