

Excellent Integrated System Limited

Stocking Distributor

Click to view price, real time Inventory, Delivery & Lifecycle Information:

[Pulse Electronics Corporation](#)
[HX6101FNL](#)

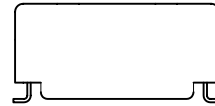
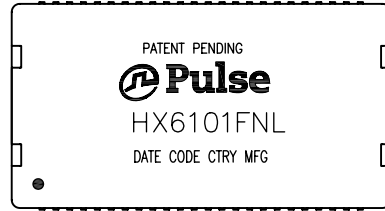
For any questions, you can email us directly:

sales@integrated-circuit.com



NOTES:

1. ROHS COMPLIANT
2. HEADER: DAP (DIALYL PHTHALATE) WITH FLAMMABILITY RATING UL 94V-0 OR BETTER.
3. STORAGE TEMPERATURE: -50°C TO +125°C
4. COMPLIANCE TO J-STD:
 - A. J-STD-002: SOLDERABILITY AT 245°C REFLOW PROFILE
 - B. J-STD-020: LEVEL 1, NO MOISTURE SENSITIVE
 - C. J-STD-075: R7, 245°C MAXIMUM THROUGH REFLOW SOLDER
5. TO ORDER TAPE & REEL PACKAGING ADD A "T" SUFFIX TO THE PART NUMBER(i.e HX6101FNL BECOMES HX6101FNLT).



FINAL OUTLINE

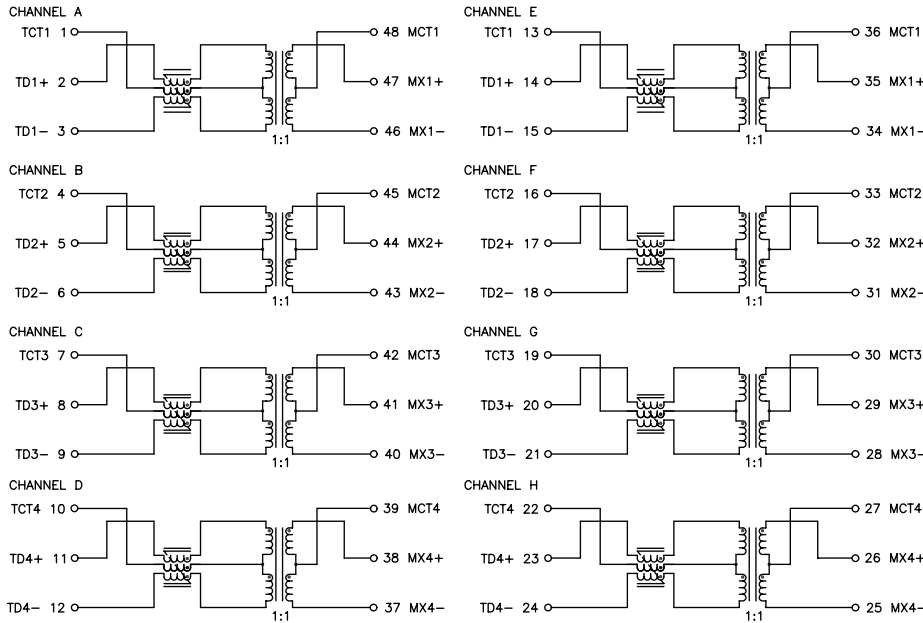
© Copyright, 2014. Pulse Electronics Corp. All rights reserved. Pulse confidential & proprietary. (06/26/14)

| PRODUCT DESCRIPTION | TLA DRAWING | PS DRAWING | SHEET | PART NO. | DATASHEET REV. |
|-------------------------|--------------|---------------|--------|-----------|----------------|
| MDL,DUAL,1GPP,1:1,SM,TU | HX6101FNL-10 | PS-2747.001-B | 1 OF 3 | HX6101FNL | A |

E-MAIL: PRODINFONETWORK@PULSEELECTRONICS.COM(US), ASIA@PULSEELECTRONICS.COM(Asia) PHONE: USA:858 674 8100, GERMANY:49 7032 78060, SINGAPORE:65 6287 8998, SHANGHAI:86 21 62787060, TAIWAN:886 3 4356768

ELECTRICAL CHARACTERISTICS AT +25°C UNLESS OTHER SPECIFIED

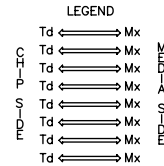
MEETS IEEE 802.3 SPECIFICATION



SCHEMATIC

| PARAMETER | SPECIFICATIONS | |
|---|---|---|
| OPERATING TEMPERATURE | -40°C ~ +85°C | |
| TURNS RATIO | 1.00 ± 2% | |
| INSERTION LOSS | 100 KHz | 1-125 MHz |
| | -1.2 dB MAX | -0.2-0.002*f ^{1.4} dB MAX |
| RETURN LOSS (Z OUT = 100 OHM ±15%) | 1-40 MHz | 40-100 MHz |
| | -16 dB MIN | -10+20*LOG ₁₀ (f/80) dB MIN |
| INDUCTANCE (OCL) (MEDIA SIDE, -40 ~ +85°C) | 350 uH MIN (MEASURED AT 100 KHz, 100 mVRMS WITH 8 mA DC BIAS) | |
| | 120 uH MIN (MEASURED AT 100 KHz, 100 mVRMS WITH 19 mA DC BIAS) | |
| CROSSTALK, ADJACENT CHANNELS | 1 MHz | 10-100 MHz |
| | -50 dB MIN | -55+22*LOG ₁₀ (f/10) dB MIN |
| COMMON MODE REJECTION RATIO | 2 MHz | 30-200 MHz |
| | -50 dB MIN | -15+20*LOG ₁₀ (f/200) dB MIN |
| DC RESISTANCE, 1/2 WINDING | .30 OHMS TYP. | |
| DC RESISTANCE BALANCE | ±.05 OHMS MAX (CENTER TAP SYMMETRY) | |
| DC CURRENT/ VOLTAGE RATING | 600 mA, @ 57 V (CONTINUOUS) | |
| INPUT - OUTPUT ISOLATION | 1500 VRMS MIN @ 60 SECONDS | |

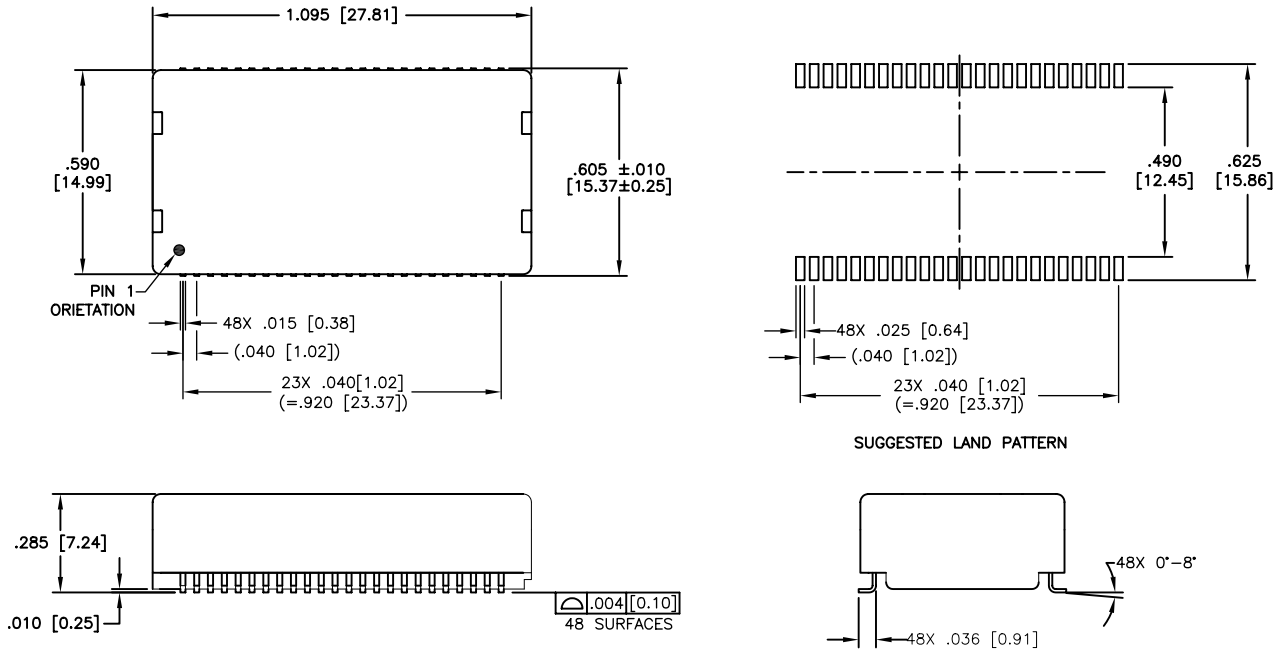
NOTE: f IS FREQUENCY IN MHz.



ALL CHANNELS ARE
IN PHASE BETWEEN
INPUT AND OUTPUT

© Copyright, 2014, Pulse Electronics Corp. All rights reserved. Pulse confidential & proprietary. (06/26/14)

| PRODUCT DESCRIPTION | TLA DRAWING | PS DRAWING | SHEET | PART NO. | DATASHEET REV. |
|-------------------------|--------------|---------------|--------|-----------|----------------|
| MDL,DUAL,1GPP,1:1,SM,TU | HX6101FNL-10 | PS-2747.001-B | 2 OF 3 | HX6101FNL | A |



DIMENSIONS ARE IN INCHES [MILLIMETERS] WITH THE FOLLOWING TOLERANCES: [MILLIMETERS] ARE FOR REFERENCE ONLY.
 .XX= ±.01 [±0.25]
 .XXX= ±.005 [±0.13]

© Copyright, 2014, Pulse Electronics Corp. All rights reserved. Pulse confidential & proprietary. (06/26/14)

| PRODUCT DESCRIPTION | TLA DRAWING | PS DRAWING | SHEET | PART NO. | DATASHEET REV. |
|-------------------------|--------------|---------------|--------|-----------|----------------|
| MDL,DUAL,1GPP,1:1,SM,TU | HX6101FNL-10 | PS-2747.001-B | 3 OF 3 | HX6101FNL | A |

E-MAIL: PRODINFONETWORK@PULSEELECTRONICS.COM(US), ASIA@PULSEELECTRONICS.COM(Asia) PHONE: USA:858 674 8100, GERMANY:49 7032 78060, SINGAPORE:65 6287 8998, SHANGHAI:86 21 62787060, TAIWAN:886 3 4356768