



**Distributor of FCI: Excellent Integrated System Limited**

Datasheet of 10074703-001RLF - Connector Receptacle USB TypeA, eSATA Combo 7  
Position Through Hole, Right Angle, Horizontal

Contact us: [sales@integrated-circuit.com](mailto:sales@integrated-circuit.com) Website: [www.integrated-circuit.com](http://www.integrated-circuit.com)

---

## **Excellent Integrated System Limited**

Stocking Distributor

Click to view price, real time Inventory, Delivery & Lifecycle Information:

[FCI](#)

[10074703-001RLF](#)

For any questions, you can email us directly:

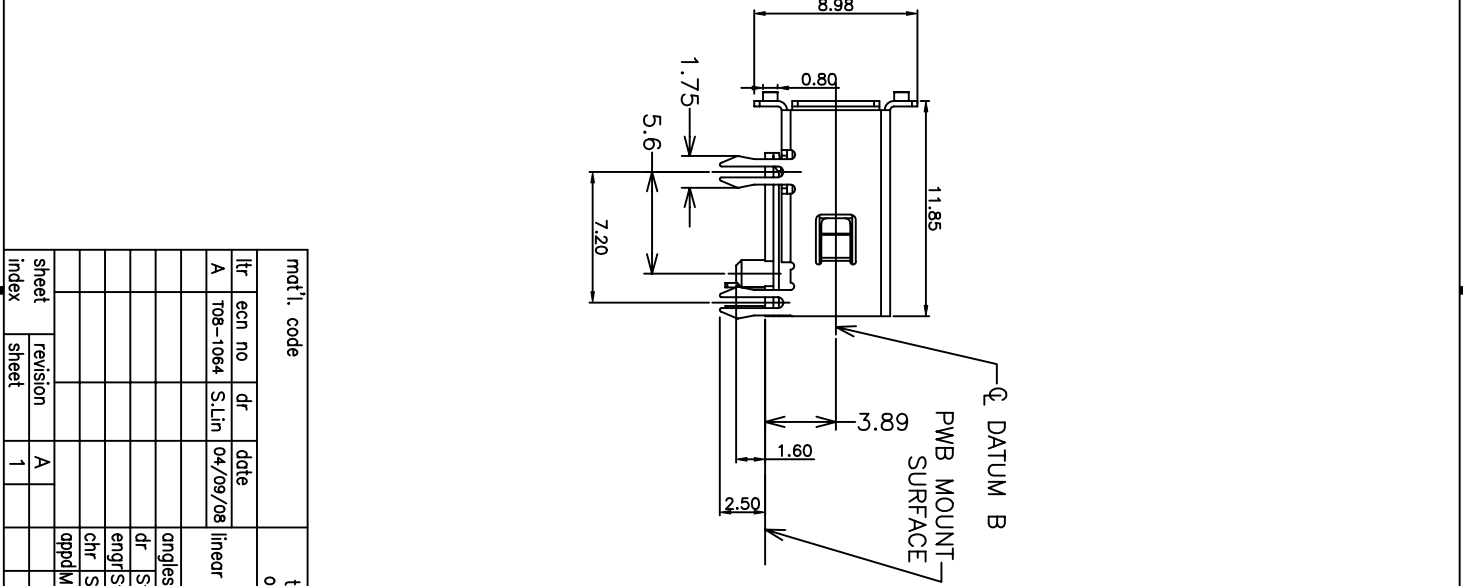
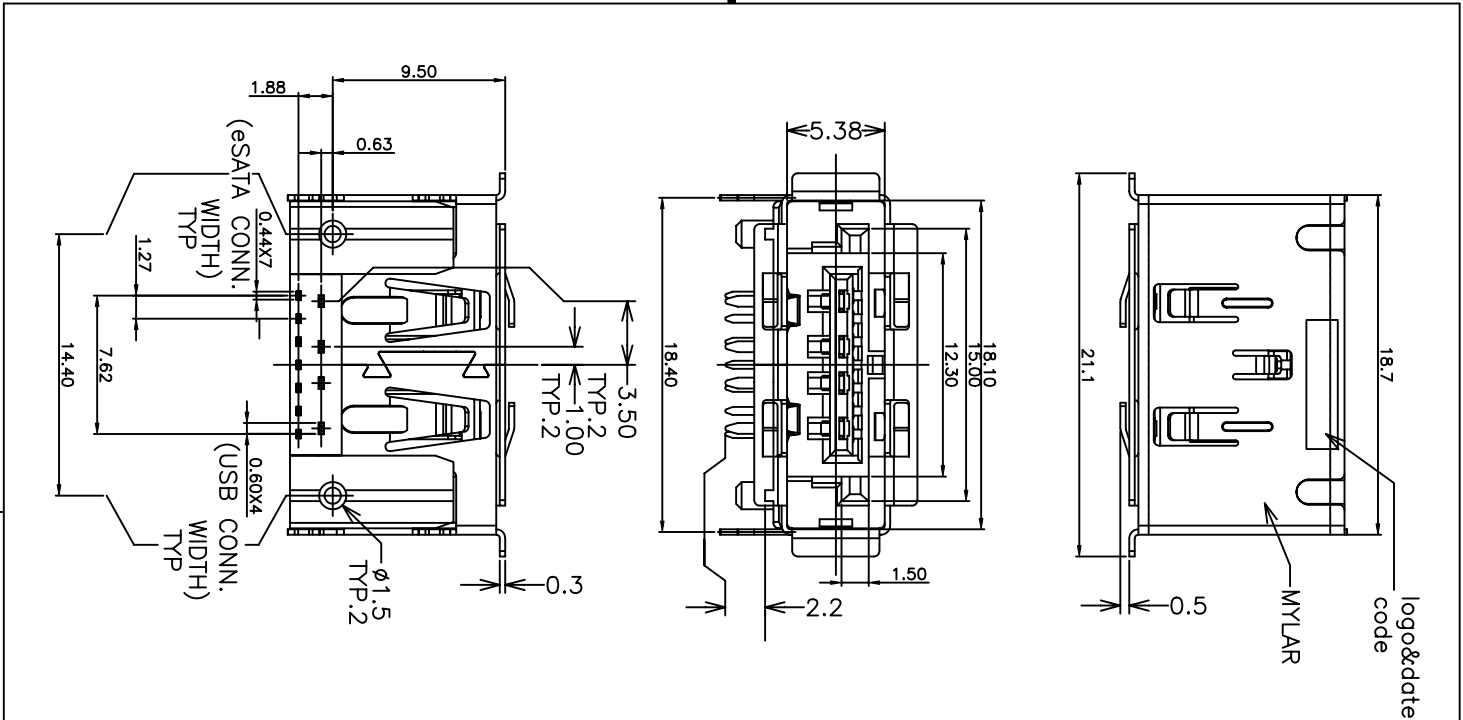
[sales@integrated-circuit.com](mailto:sales@integrated-circuit.com)

All rights strictly reserved. Reproduction or issue to third parties in any form whatever is not permitted without written authority from the proprietor. Property of FCI. Copyright FCI.



Tous droits strictement reserves. Reproduction ou communication a des tiers interdite sous quelque forme que ce soit sans autorisation ecrite du propriétaire. Propriete de c FCI. Droits de reproduction FCI.

Contact us: Sales@integrated-circuit.com Website: www.integrated-circuit.com



**NOTES:**

1. MATERIAL: HOUSING: HIGH TEMP THERMAL PLASTIC WITH 30% G/F UL94 V-0  
COLOR: BLACK  
ESATA CONTACT: COPPER ALLOY T=0.20mm  
USB CONTACT: COPPER ALLOY T=0.25mm  
SHELL: COPPER ALLOY T=0.30mm
2. FINISH: CONTACT: GOLD PLATING ON CONTACT AREA  
100u" MIN. MATT TIN PLATING ON SOLDER TAILS  
50u" MIN. NICKEL UNDERPLATING OVER ALL  
SHELL: 50u" MIN. NICKEL UNDERPLATING OVER ALL
3. THE HOUSING WILL WITHSTAND EXPOSURE TO 260 C TEMP. FOR 10 SECOND IN A WAVE SOLDER APPLICATION WITH A 1.6MM MIN. THICK CIRCUIT BOARD.
4. PRODUCT GS-12-402  
PACKING SPEC: GS-14-1099
5. NUMBERING INFORMATION  
10074703 - 0 0 X X LF  
LEAD FREE  
R : TAPE & REEL PACKING  
1 - 15u" GOLD PLATING

**RECOMMEND P.C.B. BOARD LAYOUT  
PCB TOLERANCE: ±0.05**

mat'l. code		tolerances unless otherwise specified		CUSTOMER COPY		title	
ltr	ech no	dr	date	lineor	projection	product family	www.fciconnect.com
A	108-1064	S.Lin	04/09/08	.XX ± 0.38 .XXX ± 0.25 .XXX ± 0.15	M/M	SATA	
sheet index	revision sheet		A	dr	scale	size dwg no	code
			1	engr/STERLING LIN 04/09/08	NA	10074703	TM
				appd/MINERVA WANG 04/09/08			sheet
							1

ACAD

3

cage code