

Excellent Integrated System Limited

Stocking Distributor

Click to view price, real time Inventory, Delivery & Lifecycle Information:

[Bel Fuse Inc.](#)
[M3933/17-17N](#)

For any questions, you can email us directly:
sales@integrated-circuit.com

NOTES:
 1.0 ELECTRICAL SPECIFICATIONS:

- 1.1 FREQUENCY RANGE:
 M3933/17-01 thru 06: DC to 4.5 GHz
 M3933/17-07 thru 24: DC to 18.0 GHz
- 1.2 ATTENUATION ACCURACY: SEE TABLE
- 1.3 VSWR (MAX): (BOTH ENDS)
 M3933/17-01 thru 06: 1.25:1
 M3933/17-07 thru 24:
 DC to 4.0 GHz: 1.15:1
 4.0 to 8.0 GHz: 1.20:1
 8.0 to 12.4 GHz: 1.25:1
 12.4 to 18.0 GHz: 1.35:1

- 1.4 INPUT POWER:
 POWER INPUT IS DERATED LINEARLY TO
 0.5 WATTS AT +125°C.
 M3933/17-01 thru 06: 4 WATTS AVG.
 M3933/17-07 thru 24: 2 WATTS AVG.

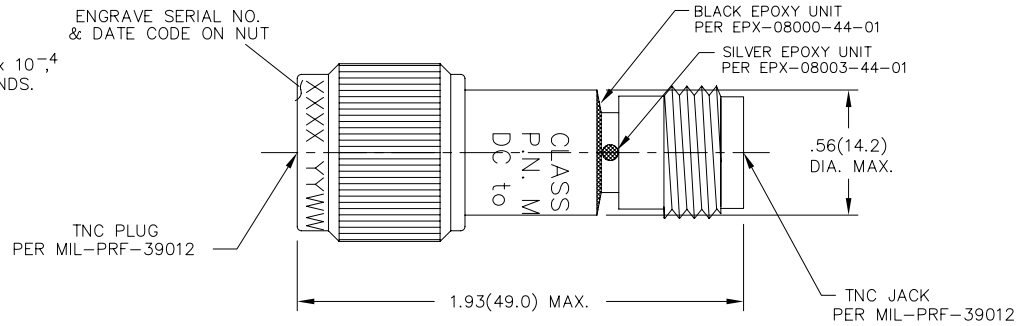
- 1.5 PEAK POWER: 0.2 KILOWATTS
 PEAK POWER FOR A DUTY CYCLE OF 5×10^{-4}
 MAX. PULSE DURATAION OF 5 MICRSECONDS.

- 2.0 MARKING: MARK UNIT AS SHOWN
 (REF.: INK-09208-27-XX)

- 3.0 DIMENSIONS IN PARENTHESIS ARE IN
 MILLIMETERS.

- 4.0 TESTING:
 SCREENED PER ATP-07839-60-01
 NON-SCREEN PER ATP-09210-60-01

-12	4	±0.4					
-11	3	±0.4					
-10	2	±0.4		-22	40 ±1.0		
-09	1	±0.4		-21	35 ±0.9		
-08	30	±0.9		-20	25 ±0.8		
-07	20	±0.6		-19	15 ±0.5		
-06	6	±0.4		-18	12 ±0.5		
-05	5	±0.4		-17	10 ±0.5		
-04	4	±0.4		-16	8 ±0.05		
-03	3	±0.4		-15	7 ±0.5		
-02	2	±0.4		-14	6 ±0.4		
-01	1	±0.3		-13	5 ±0.4		
M3933/17-XX	(dB)	ATTEN.	ACCURACY	M3933/17-XX	(dB)	ATTEN.	ACCURACY
MODEL NO.				MODEL NO.			



DATE	2/2/95
DESCRIPTION	RELEASED
REV.	A
DESCRIPTION	ECN 14461
REV.	B
DESCRIPTION	ECN 18574
REV.	C
DESCRIPTION	ECN 20764

5.0 BAG MARKING:
 MODEL M3933/17-XX (N or S)
 ATTENUATOR FIXED COAXIAL LINE
 YY WATTS AVERAGE INPUT POWER
 FREQ. RANGE: DC-ZZ GHz
 MFR 34078
 LOT NO. _____
 DATE CODE: [YYWW] YEAR & WEEK

SEE TABLE → SEE MODEL NO. FOR LAST 3 DIGITS
 SEE TABLE → SEE TABLE

UNLESS OTHERWISE NOTED DIMENSIONS ARE IN INCHES AND TOLERANCES ARE:		FSCM NO. 34078		MIDWEST MICROWAVE	
3 PLACE DECIMALS ±.005		NOTICE: The information contained in this drawing is proprietary and must not be used without the permission of Midwest Microwave		TITLE ATTENUATOR	
2 PLACE DECIMALS ±.02		PARALLELITY: T.J.R. _____		DRAWING NUMBER M3933/17-XX(N or S)	
FRACTIONS ±1/64		FLATNESS: T.J.R. _____		SCALE: 3=1	
CONCENTRICITY: T.J.R. _____		DRAWN/DATE A.BEATTY 1/27/95		SHEET 1 of 1	
ANGLES AND PERPENDICULARITY: ±1°		ENG./DATE G.KOZAK 2/3/95		APPROVED/DATE M.HOLLMAN 2/3/95	