

## Excellent Integrated System Limited

Stocking Distributor

Click to view price, real time Inventory, Delivery & Lifecycle Information:

[Crydom](#)

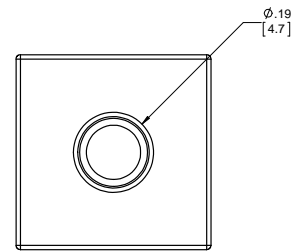
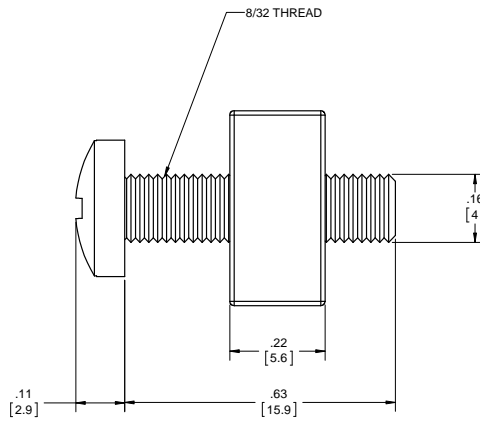
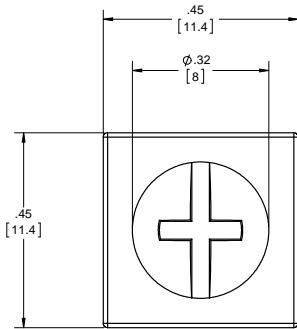
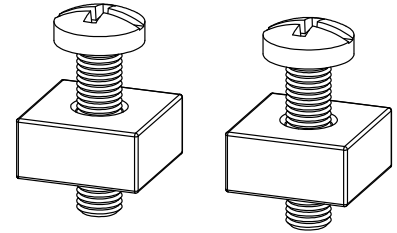
[HK4](#)

For any questions, you can email us directly:

[sales@integrated-circuit.com](mailto:sales@integrated-circuit.com)

**HK-4 STAND UP OUTPUT TERMINAL**

<b>REV. DATE</b>	<b>For Technical Support:</b>
12/07/13	support@crydom.com support-europe@crydom.com



Tolerances: ± 0.02 in / 0.5 mm. All dimensions are in: inches [millimeters]