

Excellent Integrated System Limited

Stocking Distributor

Click to view price, real time Inventory, Delivery & Lifecycle Information:

[Comair Rotron](#)
[19028309A](#)

For any questions, you can email us directly:
sales@integrated-circuit.com

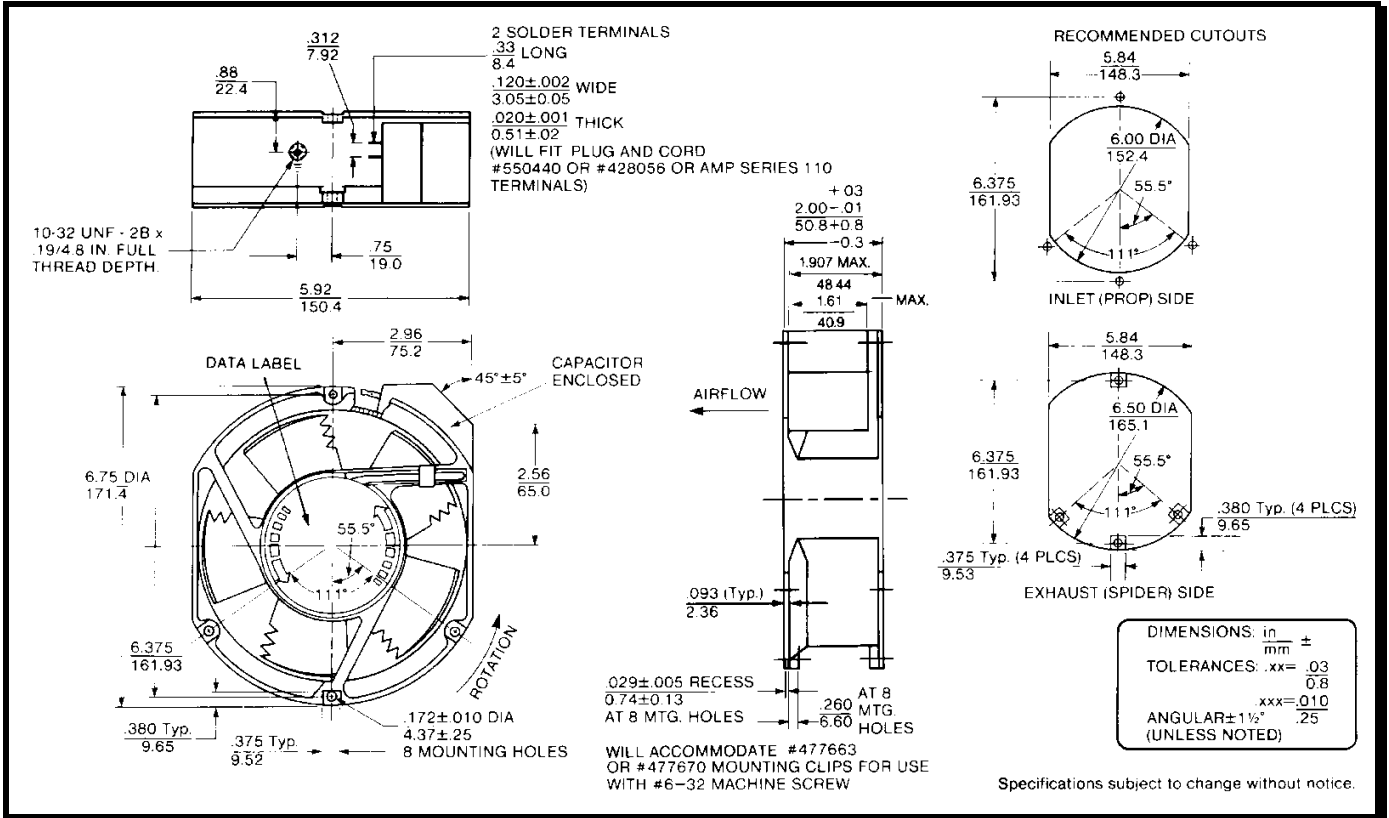
SPECIFICATIONS
(RoHS Compliant)



Model Number: MR77B3
Part Number: 19028309A
SPEC Number: 26013843A01

Jan 24, 2013

Mechanical Drawing:



Motor:

Nominal Voltage = 220 / 230 VAC
 Frequency = 50 / 60 Hz
 Nominal Running Current = 0.13 / 0.14 Amps
 Max. Locked Rotor Current = 0.25 Amps
 Running Power = 26 / 30 Watts
 Average Speed = 2850 / 3350 RPM
 Bearings = Ball
 Air Flow = 200 / 235 CFM
 Acoustic = 52.2 / 55.8 dBA

Construction:

Venturi: Single Piece Die-Cast Aluminum, Black.
 Propeller: Plastic, Black, UL 94V-0

Life Expectancy:

This fan is designed for continuous duty life of 51,000 hours at 40°C.

Additional Features:

Permanent Split Capacitor Motor
 Thermal Protection
 Automatic Restart
 Operating Temperature: -10°C to 70°C
 Storage Temperature: -40°C to 85°C

Termination:

0.110" Terminals

Agency Approvals:

UL, CE