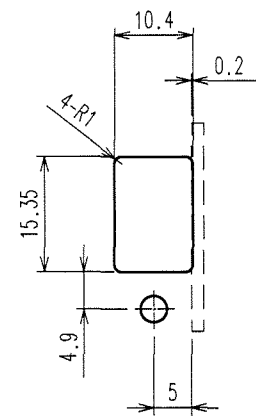
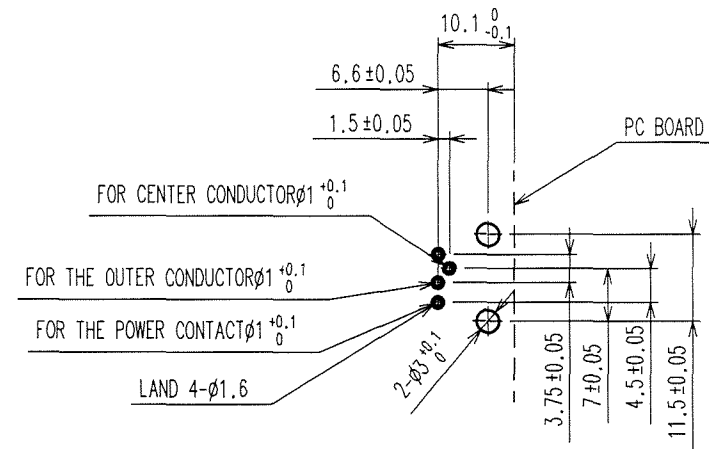


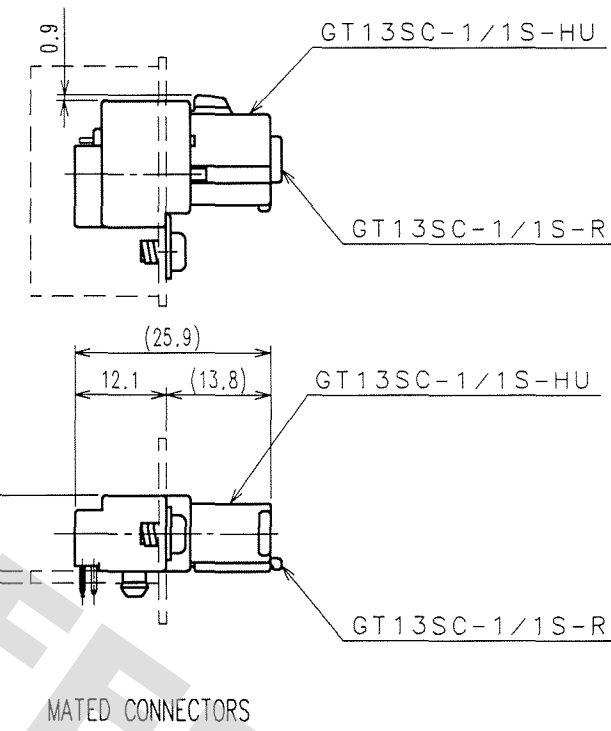
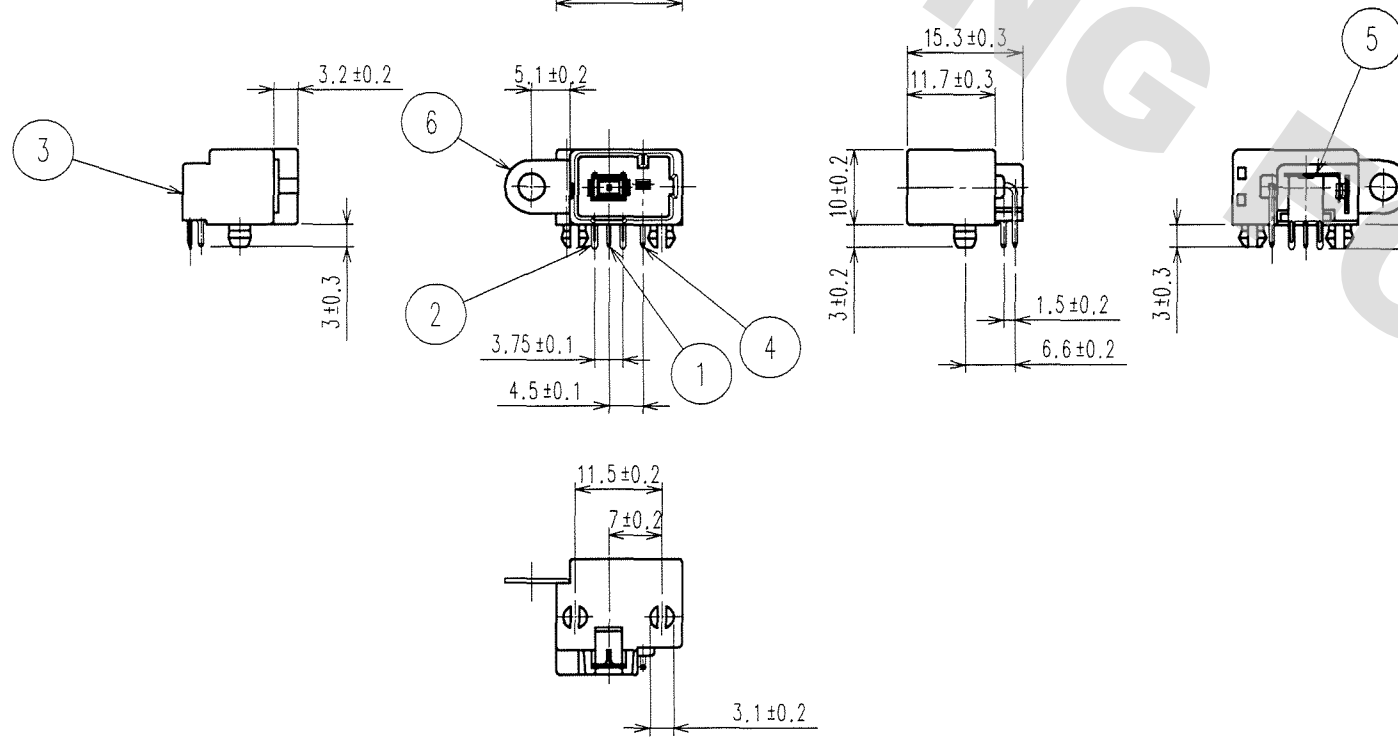
ELV. RoHS COMPLIANT

| COUNT | DESCRIPTION OF REVISIONS | BY | CHKD | DATE | COUNT | DESCRIPTION OF REVISIONS | BY | CHKD | DATE |
|-------|--------------------------|----|------|------|-------|--------------------------|----|------|------|
| △ | | | | | △ | | | | |
| △ | | | | | △ | | | | |
| △ | | | | | △ | | | | |



RECOMMENDED PC BOARD HOLE PATTERN

RECOMMENDED PANEL CUT OUT



| 3 | PBT | LIGHT GLAY | 6 | BRASS | TIN PLATED |
|-----|----------|-----------------|-----|----------|-----------------|
| 2 | BRASS | TIN PLATED | 5 | BRASS | TIN PLATED |
| 1 | BRASS | TIN PLATED | 4 | BRASS | TIN PLATED |
| NO. | MATERIAL | FINISH, REMARKS | NO. | MATERIAL | FINISH, REMARKS |

| CODE NO. (OLD) | DRAWN | DESIGNED | CHECKED | APPROVED | RELEASED |
|----------------|-----------|-----------|----------|----------|----------|
| | S. KURIYA | M. OKADA | K. Sato | K. Sato | |
| | '06.12.13 | '99.10.19 | 06.12.14 | 06.12.14 | |

| | | |
|-------|-----------------|---------------------|
| SCALE | DRAWING NO. | PART NO. |
| 1 : 1 | EDC3-165672-01 | GT13SC-1/1PP-DS(71) |
| UNITS | CODE NO. | |
| mm | CL763-0009-5-71 | |



DRAWING FOR REFERENCE: This is subject to change without notice 05/21/2015

| |
|----|
| TO |
| |
| |
| |