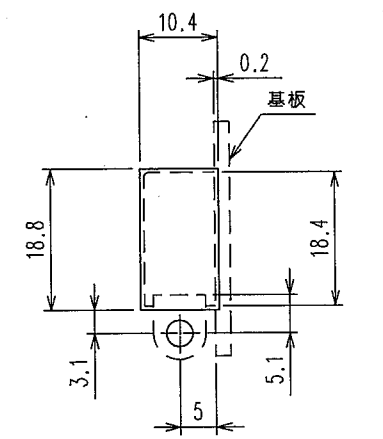
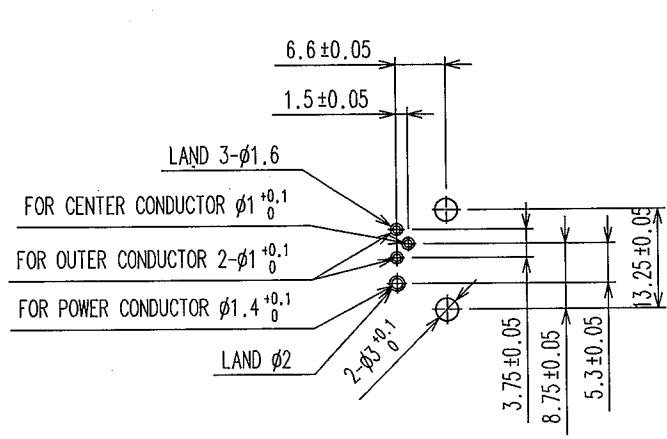


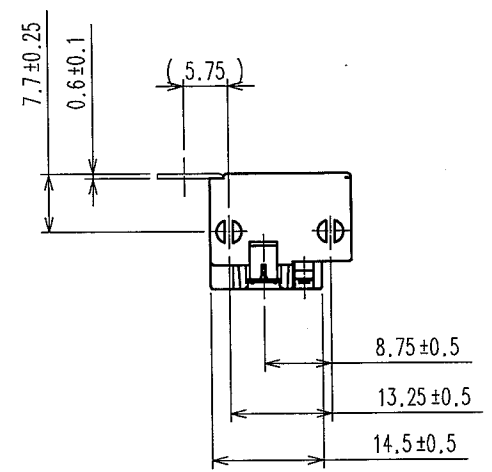
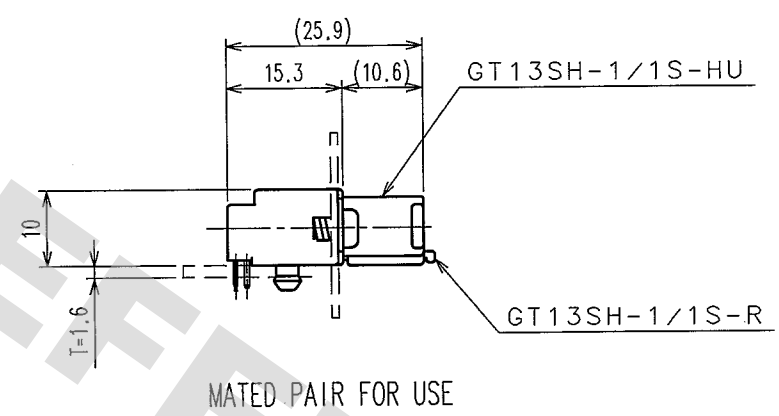
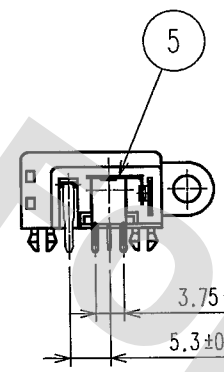
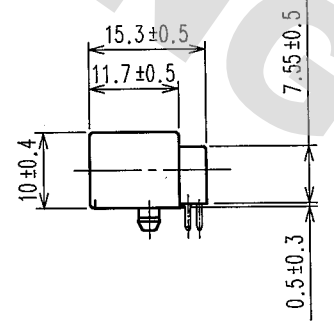
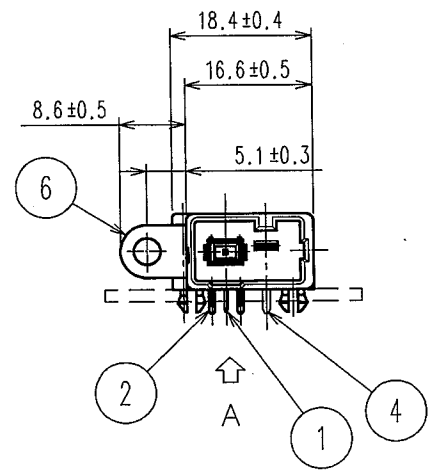
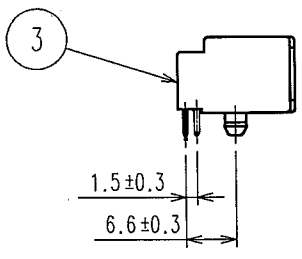
COUNT	DESCRIPTION OF REVISIONS	BY	CHKD	DATE	COUNT	DESCRIPTION OF REVISIONS	BY	CHKD	DATE
△					△				
△					△				
△					△				

HRS DRAWING



RECOMMENDED PCB LAYOUT  
(VIEW FROM BOTTOM SURFACE)

RECOMMENDED PANEL LAYOUT



3	PBT	LIGHT GLAY	6	COPPER ALLOY	TIN PLATED
2	COPPER ALLOY	TIN PLATED	5	COPPER ALLOY	TIN PLATED
1	COPPER ALLOY	TIN PLATED	4	COPPER ALLOY	TIN PLATED
NO.	MATERIAL	FINISH, REMARKS	NO.	MATERIAL	FINISH, REMARKS

CODE NO. (OLD)	DRAWN	DESIGNED	CHECKED	APPROVED	RELEASED
CL	S.KURIYA	M.OKADA	K. Sato	K. Sato	
	06.10.11	02.2.6	06.10.12	06.10.12	

SCALE	DRAWING NO.	PART NO.
1 : 1	EDC3-165957	GT13SH-1/1PP-DS
UNITS	HIROSE ELECTRIC CO., LTD	CODE NO.
mm		CL763-0050-9

DRAWING FOR REFERENCE: This is subject to change without notice  
05/21/2015

TO