

## **Excellent Integrated System Limited**

Stocking Distributor

Click to view price, real time Inventory, Delivery & Lifecycle Information:

[Comair Rotron](#)  
[19020172A](#)

For any questions, you can email us directly:

[sales@integrated-circuit.com](mailto:sales@integrated-circuit.com)

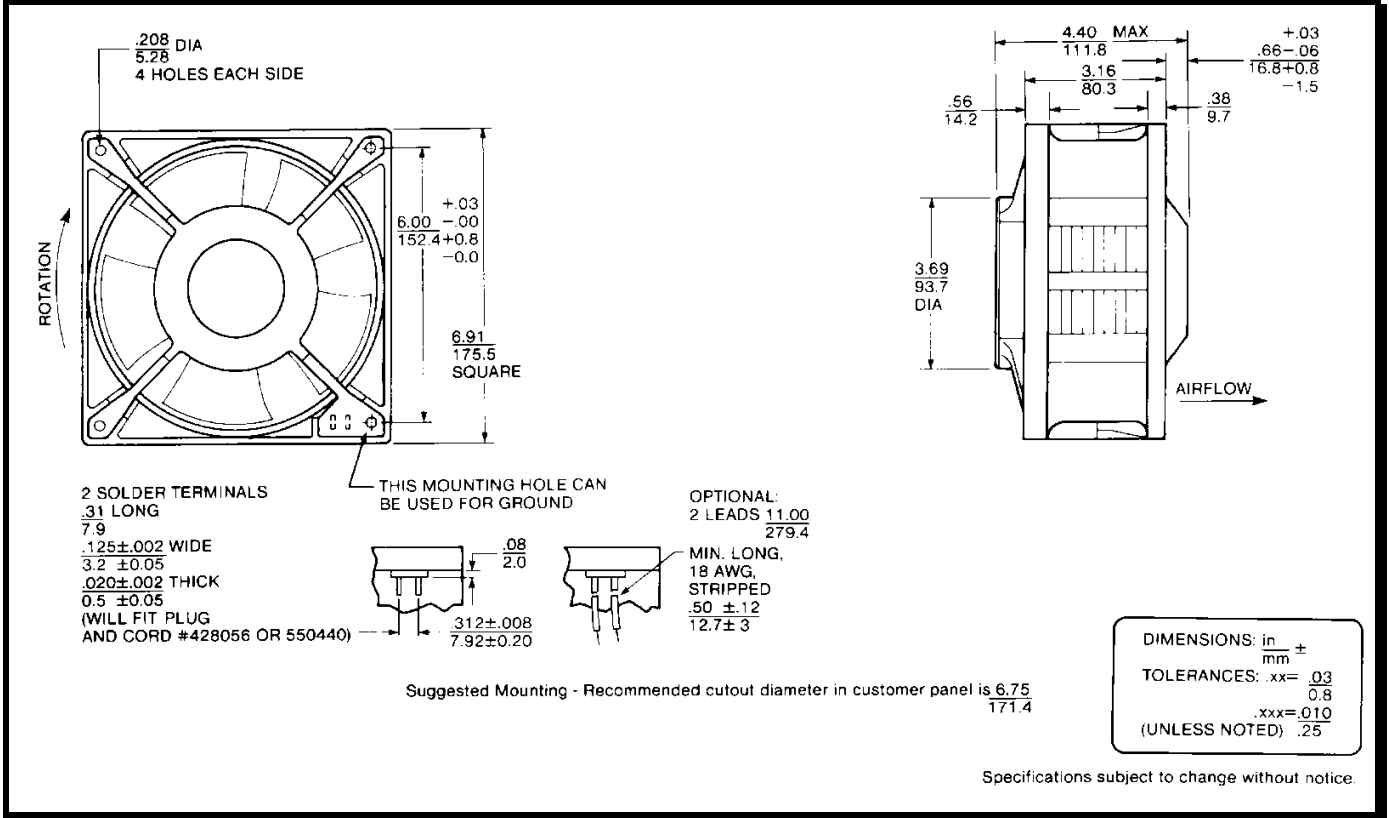
**SPECIFICATIONS**  
(RoHS Compliant)



**Model Number:** TNE3A  
**Part Number:** 19020172A  
**SPEN NUMBER:** 26013845A01

Jan 24, 2013

**Mechanical Drawing:**



**Motor:**

Frequency = 50/60 Hz  
 Nominal Voltage = 220/230 VAC  
 Nominal Running Current = 0.260 Amps  
 Max. Locked Rotor Current = 0.650 Amps  
 Running Power = 59 Watts  
 Average Speed = 3470 RPM  
 Bearings = Ball  
 Air Flow = 280/340 CFM  
 Acoustic = 61.6/65.4 dBA

**Construction:**

Venturi: Plastic, Black, UL 94V-0  
 Propeller & Cover: Plastic, Black, UL 94V-0

**Life Expectancy:**

This fan is designed for continuous duty life of 25,000 hours at 40°C.

**Additional Features:**

Permanent Split Capacitor Motor  
 Automatic Reset Thermal Protector  
 Locked Rotor Protection  
 Operating Temperature: -10°C to 70°C  
 Storage Temperature: -40°C to 85°C

**Termination:**

Two blade terminals

**Agencies:**

UL, CE