

Excellent Integrated System Limited

Stocking Distributor

Click to view price, real time Inventory, Delivery & Lifecycle Information:

[Comair Rotron](#)
[19020189A](#)

For any questions, you can email us directly:

sales@integrated-circuit.com

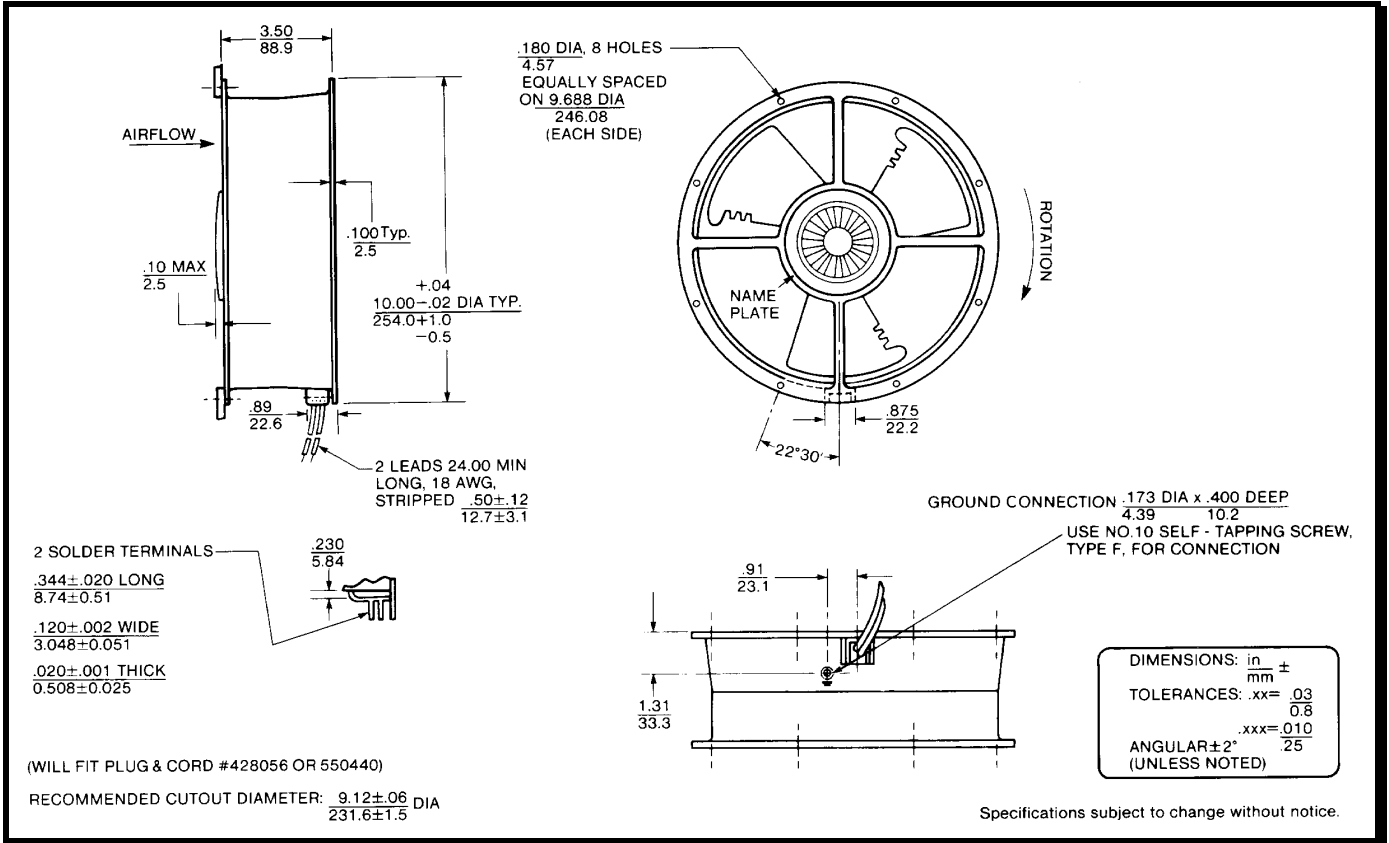
SPECIFICATIONS
(RoHS Compliant)



Model Number: CLE2T2
Part Number: 19020189A
SPEC NUMBER: 26013849A01

Feb 05, 2013

Mechanical Drawing:



Motor:

Nominal Voltage = 115 VAC
 Frequency = 50 / 60 Hz
 Nominal Running Current = 1.00 / 0.88 amps
 Max. Locked Rotor Current = 1.60 amps
 Running Power = 67 / 61 Watts
 Average Speed = 1400 / 1650 RPM
 Bearings = Ball
 Air Flow = 455 / 550 CFM
 Acoustic: = 45.4 / 49.2 dBA

Construction:

Venturi: Aluminum, Black
 Propeller: Plastic, Black, UL 94V-0

Life Expectancy:

This fan is designed for continuous duty life of 54,000 hours at 40°C.

Additional Features:

Permanent Split Capacitor Motor
 Automatic Reset Thermal Protector
 Class A Insulation
 Feathered Edge Propeller
 Operating Temperature: -30°C to 60°C
 Storage Temperature: -40°C to 85°C

Termination:

2 solder terminals

Agency Approvals:

UL, CE