

Excellent Integrated System Limited

Stocking Distributor

Click to view price, real time Inventory, Delivery & Lifecycle Information:

[Bel Fuse Inc.](#)
[0843-2B1T-70-F](#)

For any questions, you can email us directly:
sales@integrated-circuit.com



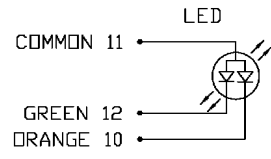
THE INFORMATION CONTAINED HEREIN IS CONSIDERED "PROPRIETARY" TO BEL FUSE INC. AND SHALL NOT BE COPIED, REPRODUCED OR DISCLOSED WITHOUT THE WRITTEN APPROVAL OF BEL FUSE INC.

LED POLARITY			
PIN 12	PIN 11	PIN 10	COLOR
-	+	/	GREEN
/	+	-	ORANGE

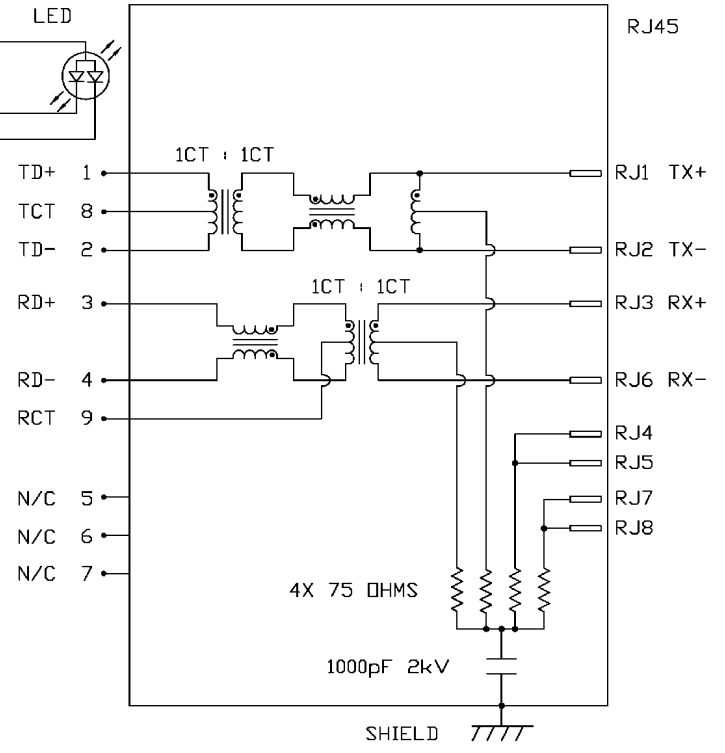
ELECTRICAL CHARACTERISTICS @ 25°C

TURNS RATIO	
TX	1CT : 1CT ±2%
RX	1CT : 1CT ±2%
DCL @ 100kHz/100mVRMS	
8mA DC BIAS	400µH MIN.
INS. LOSS	
1MHz TO 100MHz	-1.0 dB MAX
RETURN LOSS <TX/RX>	
1.0 THRU 30 MHz	-18 dB MIN
30.1 THRU 60 MHz	-18+20Log<f/30MHz>dB MIN
60.1 THRU 80 MHz	-12 dB MIN
CROSSTALK	
500kHz - 100MHz	-35 dB MIN
CM TO CM REJ	-30 dB MIN
100kHz - 100MHz	-30 dB MIN
CM TO DM REJ	-35 dB MIN
100kHz - 100MHz	-35 dB MIN
HIPOT <Isolation Voltage>	1500 Vrms or 2250VDC
LED	
VF <FORWARD VOLTAGE>	IF=20mA GREEN 2.2V TYP. ORANGE 2.0V TYP.
λD <DOMINANT WAVELENGTH>	IF=20mA GREEN 565nm TYP. ORANGE 610nm TYP.

NOTES:
 SCHEMATIC & ELECTRICAL CHARACTERISTICS ARE IDENTICAL FOR PORT 1 & PORT 2.



SCHEMATIC

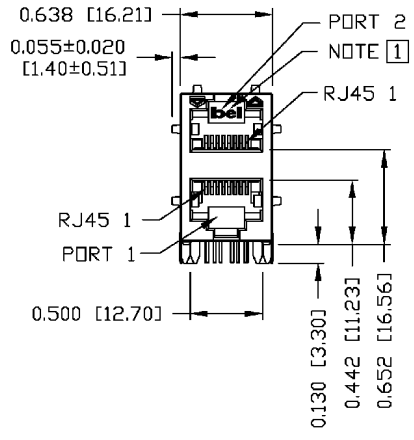
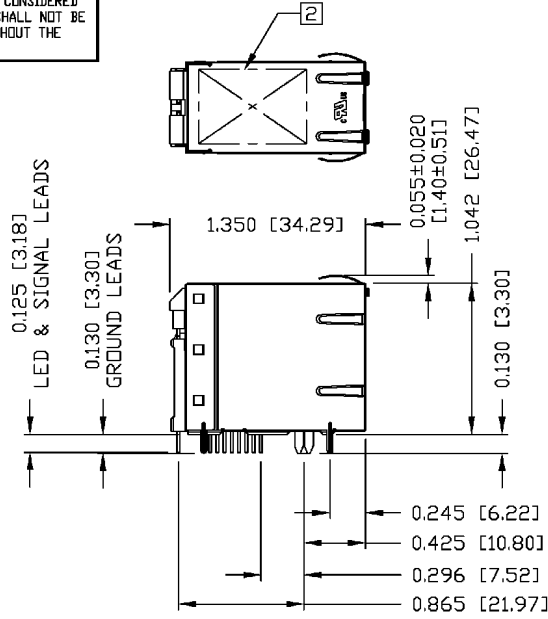


ORIGINATED BY CHUNG	DATE 06-12-06	TITLE 2X1 MagJack® (5 Cores, 10/100, with LED)	PART NO. / DRAWING NO. 08432B1T70-F	STANDARD DIM. TOL. IN INCH	[] METRIC DIM. AS REFERENCE		
DRAWN BY DE	DATE 06-12-06		FILE NAME 08432B1T70-F.A.DWG	.X .XX .XXX	UNIT : INCH [mm] SCALE : N/A	REV. : A SIZE : A4	

DC002(2)032305

This document is electronically generated. This is a controlled copy if used internally

THE INFORMATION CONTAINED HEREIN IS CONSIDERED "PROPRIETARY" TO BEL FUSE INC. AND SHALL NOT BE COPIED, REPRODUCED OR DISCLOSED WITHOUT THE WRITTEN APPROVAL OF BEL FUSE INC.



NOTES:

- PLASTIC HOUSING: THERMOPLASTIC PBT
 FLAMMABILITY RATING UL 94V-0
- CONTACT PLATING: 50 MICRO-INCH HARD GOLD PLATING
- OUTPUT PINS: TIN-COATED COPPER WIRE, DIA 0.018 INCH.
- METAL SHIELD: NICKEL PLATED ON COPPER ALLOY.
 (ALL GROUND LEADS ARE SOLDER DIPPED)
- [1] JACK CAVITY CONFORMS TO FCC RULES AND REGULATIONS.

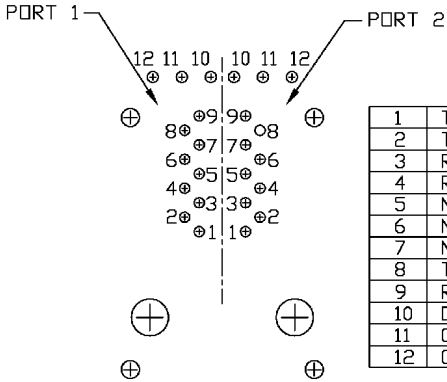
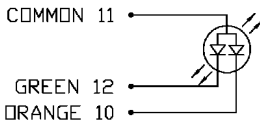
- [2] MARK PART WITH MFG LOGO, MFG NAME, PART NUMBER, AND DATE CODE.
- UL RECOGNIZED - FILE #E196366 AND E169987.
- RoHS COMPLIANT, PER EU DIRECTIVE 2002/95/EC

ORIGINATED BY	DATE	TITLE	PART NO. / DRAWING NO.	STANDARD DIM. TOL. IN INCH	[] METRIC DIM. AS REFERENCE
QIN/BILL	06-12-06	2X1 MagJack® (5 Cores, 10/100, with LED)	08432B1T70-F	.X	UNIT : INCH [mm] REV. : A
DRAWN BY	DATE		FILE NAME	.XX	SCALE : N/A SIZE : A4
TING	06-12-06	0843-2B1T-70-F	08432B1T70-FA.DWG	.XXX ±0.010	PAGE : 3



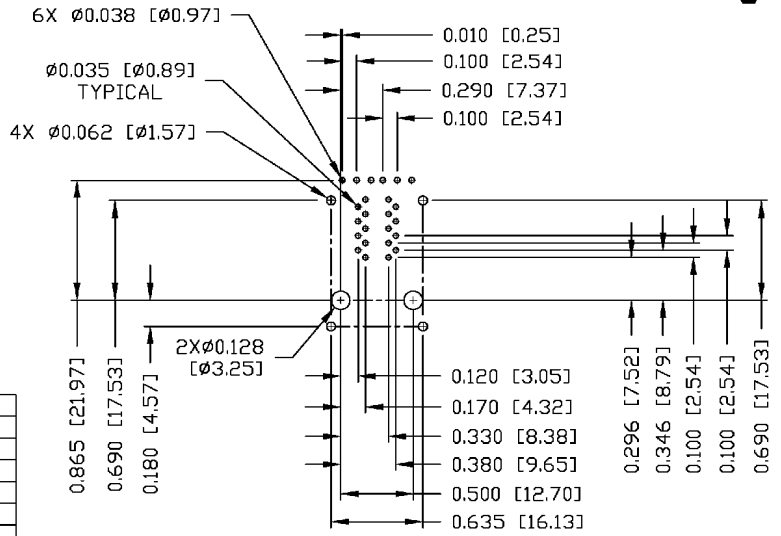
THE INFORMATION CONTAINED HEREIN IS CONSIDERED "PROPRIETARY" TO BEL FUSE INC. AND SHALL NOT BE COPIED, REPRODUCED OR DISCLOSED WITHOUT THE WRITTEN APPROVAL OF BEL FUSE INC.

LED CONFIGURATION



1	TD+
2	TD-
3	RD+
4	RD-
5	N/C
6	N/C
7	N/C
8	TCT
9	RCT
10	ORANGE LED CATHODE
11	COMMON ANODE
12	GREEN LED CATHODE

PIN-OUT INFORMATION
(COMPONENT SIDE VIEW)



SUGGESTED FOOTPRINT
(COMPONENT SIDE VIEW)

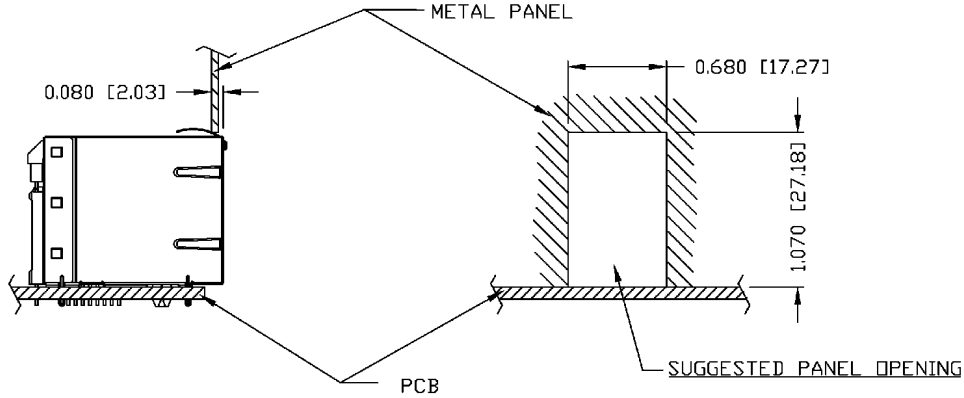
ORIGINATED BY	DATE	TITLE	PART NO. / DRAWING NO.	STANDARD DIM. TOL. IN INCH	[] METRIC DIM. AS REFERENCE
QIN/BILL	06-12-06	2X1 MagJack® (5 Cores, 10/100, with LED)	08432B1T70-F	.X	UNIT : INCH [mm] REV. : A
DRAWN BY	DATE		FILE NAME	.XX	SCALE : N/A SIZE : A4
TING	06-12-06	0843-2B1T-70-F	08432B1T70-FA.DWG	.XXX ±0.004	PAGE : 4





THE INFORMATION CONTAINED HEREIN IS CONSIDERED "PROPRIETARY" TO BEL FUSE INC. AND SHALL NOT BE COPIED, REPRODUCED OR DISCLOSED WITHOUT THE WRITTEN APPROVAL OF BEL FUSE INC.

SUGGESTED PANEL OPENING



NOTE:

THE DISTANCE OF PANEL INSIDE SURFACE RELATIVE TO FRONT SURFACE OF PART IS ONLY A SUGGESTION. IN CASE THIS DISTANCE IS DIFFERENT, THE REQUIRED PANEL OPENING DIMENSIONS CHANGE ACCORDINGLY.

PACKING INFORMATION

PACKING TRAY: 0200-0148-36 (TOP)
 0200-0148-34 (BOTTOM)
 PACKING QUANTITY: 40 PCS FINISHED GOODS PER TRAY
 6 TRAYS (240 PCS FINISHED GOODS) PER CARTON BOX.

NOTE: CARDBOARD ARE PLACED BETWEEN LAYERS OF PACKING TRAY INSIDE CARTON BOX.
 (INCLUDE THE UPPERMOST AND LOWEREST TRAY)

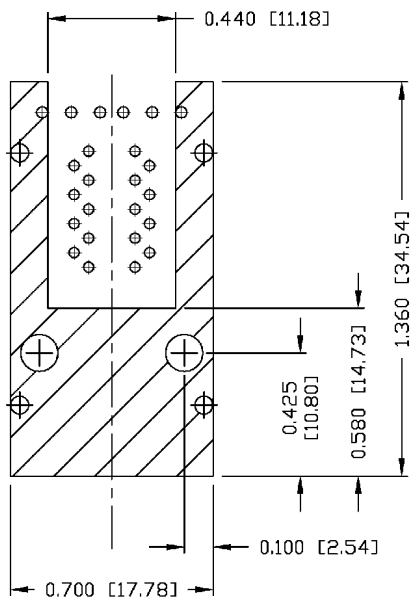
ORIGINATED BY	DATE	TITLE	PART NO. / DRAWING NO.	STANDARD DIM.	[] METRIC DIM. AS REFERENCE	
QIN/BILL	06-12-06	2X1 MagJack® (5 Cores, 10/100, with LED)	08432B1T70-F	TOL. IN INCH	UNIT : INCH [mm]	REV. : A
DRAWN BY	DATE		FILE NAME	.X	SCALE : N/A	SIZE : A4
TING	06-12-06	0843-2B1T-70-F	08432B1T70-FA.DWG	.XX	PAGE : 5	 COMPONENTS OF A CONNECTED PLANET
				.XXX ±0.004		

DC002(2)032305

This document is electronically generated. This is a controlled copy if used internally



THE INFORMATION CONTAINED HEREIN IS CONSIDERED "PROPRIETARY" TO BEL FUSE INC. AND SHALL NOT BE COPIED, REPRODUCED OR DISCLOSED WITHOUT THE WRITTEN APPROVAL OF BEL FUSE INC.



NOTES:

THE SHADED AREA ON THE CUSTOMER BOARD ARE RECOMMENDED TO BE CLEAR OFF ANY VIA HOLE OR COMPONENT PAD.

ORIGINATED BY QIN/BILL	DATE 06-12-06	TITLE 2X1 MagJack® (5 Cores, 10/100, with LED) 0843-2B1T-70-F	PART NO. / DRAWING NO. 08432B1T70-F	STANDARD DIM. TOL. IN INCH	[] METRIC DIM. AS REFERENCE		COMPONENTS FOR A CONNECTED PLANET
DRAWN BY TING	DATE 06-12-06		FILE NAME 08432B1T70-FA.DWG	.X .XX .XXX	±0.004	UNIT : INCH [mm] SCALE : N/A	

DC002(2)032305

This document is electronically generated. This is a controlled copy if used internally