

## Excellent Integrated System Limited

Stocking Distributor

Click to view price, real time Inventory, Delivery & Lifecycle Information:

[Bel Fuse Inc.](#)  
[S553-5999-F2-F](#)

For any questions, you can email us directly:  
[sales@integrated-circuit.com](mailto:sales@integrated-circuit.com)



**10BASE-T LAN MAGNETICS**  
**Dual Isolation Transformer**

LM05510

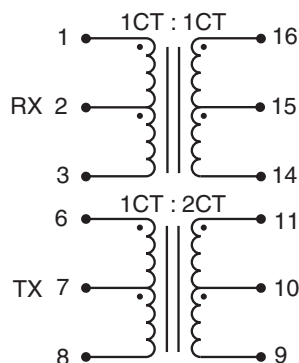
- Transformer turns ratio RX 1CT : 1CT and TX 1CT : 2CT
- Utilizes standard surface mount packaging
- Meets all IEEE 802.3 performance requirements
- Low profile, surface mount packaging rated to 225° C peak IR reflow temperature
- Operating temperature -40° to +85° C
- Minimum interwinding breakdown voltage of 1500 Vrms

**ELECTRICAL SPECIFICATIONS AT 25° C**

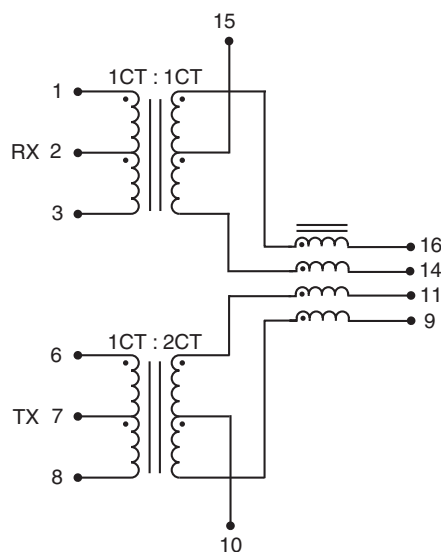
Part Number	OCL μH min		Leakage Inductance μH max		Interwinding Capacitance pf max		DCR Ω max			
	RX	TX	RX	TX	1 - 16	6 -11	TXIN	TXO	RXIN	RXO
S553-5999-F2	110	28	0.3	0.2	10	10	0.75	0.75	0.75	0.75
S553-5999-F3	110	28	0.3	0.2	10	10	0.75	0.75	0.75	0.75

**SCHEMATIC**

**S553-5999-F2**



**S553-5999-F3**



©2005 Bel Fuse Inc. Specifications subject to change without notice. 03.05

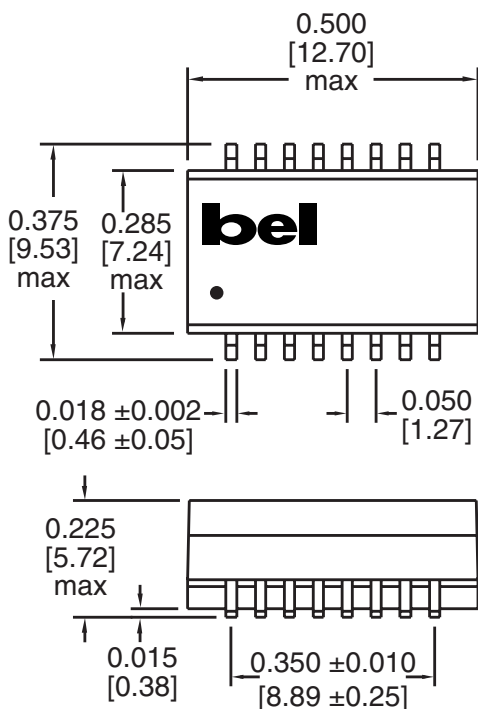


**10BASE-T LAN MAGNETICS**  
**Dual Isolation Transformer**

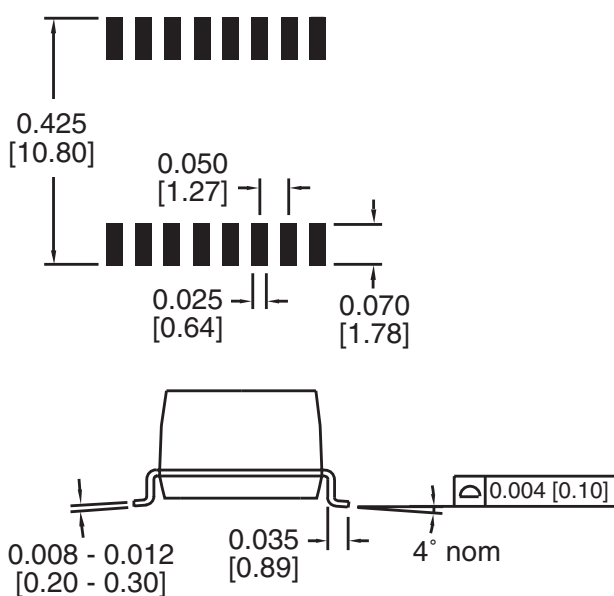
LM05510

**MECHANICAL**

S553-5999-F2  
 S553-5999-F3



**Suggested PCB Pad Layout**



Dimensions are in inches [millimeters].  
 Standard dimension tolerance is ±0.005 [0.13] unless otherwise noted.

©2005 Bel Fuse Inc. Specifications subject to change without notice. 03.05

**CORPORATE**

Bel Fuse Inc.  
 206 Van Vorst Street  
 Jersey City, NJ 07302  
 Tel 201-432-0463  
 Fax 201-432-9542  
 www.belfuse.com

**FAR EAST**

Bel Fuse Ltd.  
 8F / 8 Luk Hop Street  
 San Po Kong  
 Kowloon, Hong Kong  
 Tel 852-2328-5515  
 Fax 852-2352-3706  
 www.belfuse.com

**EUROPE**

Bel Fuse Europe Ltd.  
 Preston Technology Management Centre  
 Marsh Lane, Suite G7, Preston  
 Lancashire, PR1 8UD, U.K.  
 Tel 44-1772-556601  
 Fax 44-1772-888366  
 www.belfuse.com