

Excellent Integrated System Limited

Stocking Distributor

Click to view price, real time Inventory, Delivery & Lifecycle Information:

[Bel Fuse Inc.](#)
[S558-5999-U1-F](#)

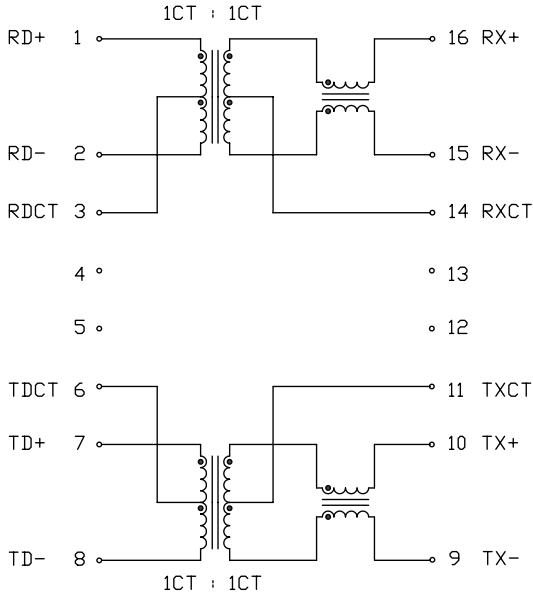
For any questions, you can email us directly:
sales@integrated-circuit.com



THE INFORMATION CONTAINED HEREIN IS CONSIDERED 'PROPRIETARY' TO BEL FUSE INC. AND SHALL NOT BE COPIED, REPRODUCED OR DISCLOSED WITHOUT THE WRITTEN APPROVAL OF BEL FUSE INC.

ELECTRICAL SPECIFICATIONS @25°C

SCHEMATIC



TURNS RATIO (1-3-2) : (16-14-15) (7-6-8) : (10-11-9)	1CT : 1CT 1CT : 1CT
POLARITY	PER DOT CONVENTION
OCL (1-2), (7-8)	350uH MIN AT 100kHz, 100mV WITH 8mA DC BIAS, FROM 0-70°C
INSERTION LOSS 1-100MHz	1.0dB MAX
RETURN LOSS 1-30MHz 50MHz 60MHz 80MHz	18dB MIN 16dB MIN 14dB MIN 12dB MIN
CROSSTALK 5-10MHz 100MHz	40dB MIN 30dB MIN
COMMON TO COMMON REJECTION 300kHz-155MHz	30dB MIN
HIPOT	PER HAND-WORK-03

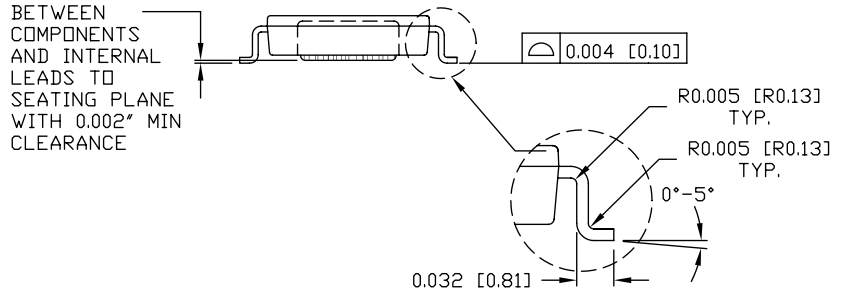
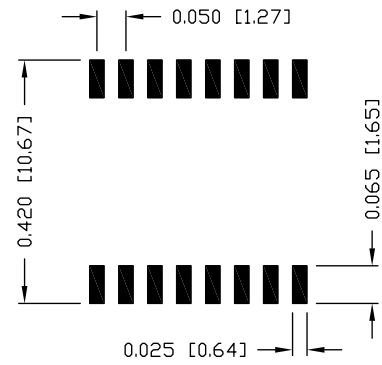
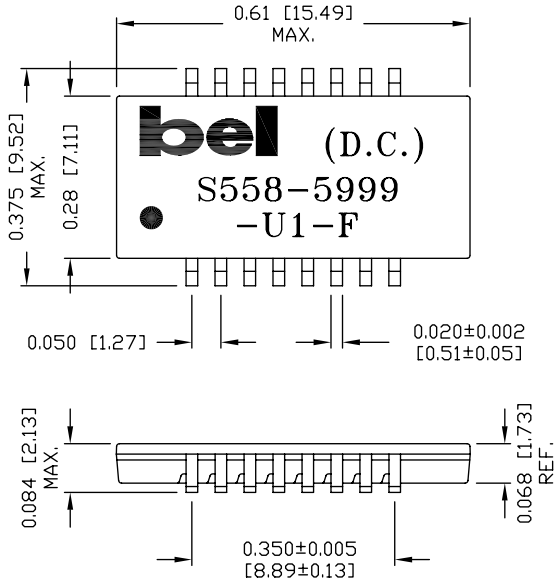
ORIGINATED BY	DATE	TITLE	PART NO. / DRAWING NO.	STANDARD DIM. TOL. IN INCH	<input type="checkbox"/> METRIC DIM. AS REFERENCE
CHAN CH	03-24-09	ELECTRICAL SPECIFICATION S558-5999-U1-F	X5585999U1-F	.X	UNIT : INCH [mm] REV. : A
DRAWN BY	DATE		FILE NAME	.XX	SCALE : N/A SIZE : A4
YH Lai	03-24-09		X5585999U1FA.DWG	.XXX	PAGE : 2





THE INFORMATION CONTAINED HEREIN IS CONSIDERED "PROPRIETARY" TO BEL FUSE INC. AND SHALL NOT BE COPIED, REPRODUCED OR DISCLOSED WITHOUT THE WRITTEN APPROVAL OF BEL FUSE INC.

SUGGESTED PCB PAD LAYOUT



- NOTES:
- STANDARD MARKING REFER TO DOC. HAND-WORK-04.
 - PACKAGE CODE: "QZS001".

ORIGINATED BY	DATE	TITLE	PART NO. / DRAWING NO.	STANDARD DIM. TOL. IN INCH	[] METRIC DIM. AS REFERENCE	 COMPONENTS ARE CONNECTED TO PLANE	
Lawrence Tsang	03-24-09	MECHANICAL OUTLINE S558-5999-U1-F	X5585999U1-F	.X	UNIT : INCH [mm]		REV. : A
DRAWN BY	DATE		FILE NAME	.XX ±0.01	SCALE : N/A		SIZE : A4
YH Lai	03-24-09		X5585999U1FA.DWG	.XXX ±0.005	SCALE : N/A	PAGE : 3	

DC002(2)032305 This document is electronically generated. This is a controlled copy if used internally