



Excellent Integrated System Limited

Stocking Distributor

Click to view price, real time Inventory, Delivery & Lifecycle Information:

[ASSMANN WSW Components](#)

[AT-C-26-4/4/W-25](#)

For any questions, you can email us directly:

sales@integrated-circuit.com

1 2 3 4 5 6 7

A

B

C

D

E

F

A

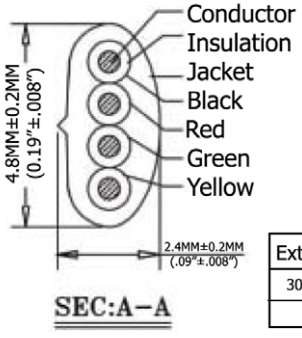
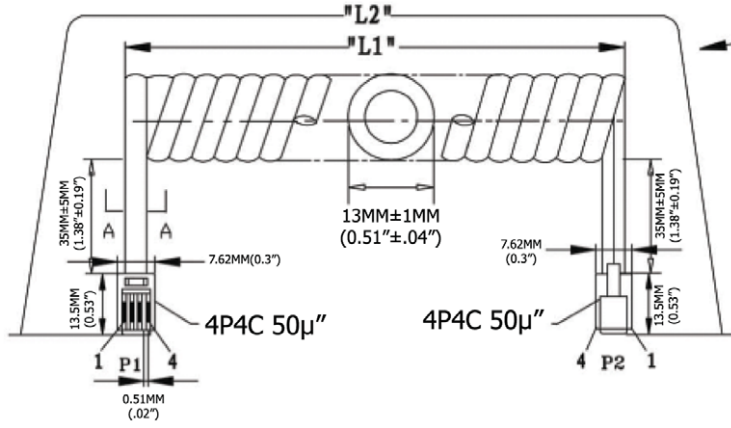
B

C

D

E

F



TERMINATION:

P1	P2	COLOR
1	4	BLACK
2	3	RED
3	2	GREEN
4	1	YELLOW

Material:

- Plug Housing: Polycarbonate, clear
- Plug Terminal: 0.36"[0.14MM] Thick Phosphor Bronze
- Connector: 50μ" of Selective Gold Contact Plating
 - Area, Gold flash over the remainder
 - Over 2.54μm[.000100] thick nickel underplate
- Conductor(X4C): 26AWG (0.12X12) Bare Copper
- Insulation(X4C): PP6331 ID 0.95-1.0
- Jacke: PVC No UL 80 P
- Package: Individual PE Bag

Extended Length ("L2")	Typical Retracted Length ("L1")
300.0 Inches - 345.0 Inches	75.0 Inches
7,620.0MM-8,763.0MM	1,905.0MM

G

H

G

H



Scale	1:1					Name	Item No.
TOLERANCE					Drawn	11.02.11	AT-C-26-4/4/W-25
X.X	±0.40				Approved		
X.XX	±0.25						Title
X.XXX	±0.15						NON-UL 26 AWG (0.12X12)*6C, O.D.: 2.4*4.8MM, Standard Plug, 50μ" of contact plating, WHITE
Angle	±3°						Drawing No.
							rev00
		Modification	Date	Name			Replace
							Sheet



1 2 3 4 5 6 7