



Excellent Integrated System Limited

Stocking Distributor

Click to view price, real time Inventory, Delivery & Lifecycle Information:

[ASSMANN WSW Components](#)

[AT-C-26-8/8/S-25](#)

For any questions, you can email us directly:

sales@integrated-circuit.com

1 2 3 4 5 6 7

A

B

C

D

E

F

G

H

A

B

C

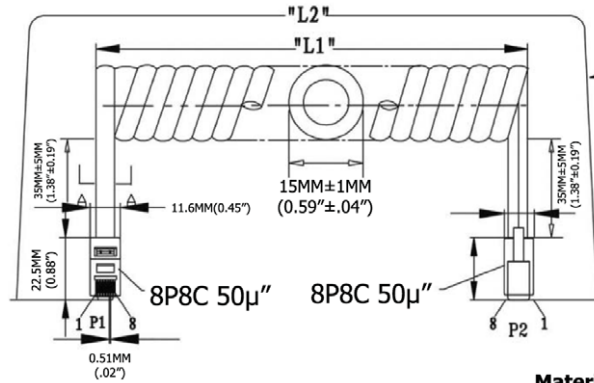
D

E

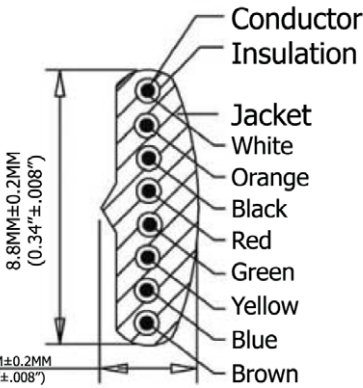
F

G

H



Extended length is with 500g of force



P1	P2
1 WHITE	8
2 ORANGE	7
3 BLACK	6
4 RED	5
5 GREEN	4
6 YELLOW	3
7 BLUE	2
8 BROWN	1

Extended Length ("L2")	Typical Retracted Length ("L1")
300.0 Inches - 28.75 Inches	126.0 Inches
7,620.0MM-8,763.0MM	3,200.4MM

Materials:

- Plug Housing: Polycarbonate, clear
- Plug Terminal: 0.36" [0.14MM] Thick Phosphor Bronze
- Connector: 50µ" of Selective Gold Contact Plating
 - Area, Gold flash over the remande
 - Over 2.54µm [0.000100] thick nickel underplate
- Conductor(X4C): 26AWG (0.12X12) Bare Copper
- Insulation(X4C): PP6331 ID 0.95-1.0
- Jacket: PVC NOUL 80P
- Package: Individual PE Bag

Electrical:

- Voltage rating: 30V (DC)

Unit: MM

SEC: A-A

Scale	1:1					Name	Item No.
TOLERANCE						Drawn	11.18.11
X.X	±0.40					Chappell	AT-C-26-8/8/S-25
X.XX	±0.25					Approved	Title NON-UL 26 AWG (0.16/7)*8C, O.D.: 2.4*8.8MM, Standard Plug, 50µ" of contact plating, Silver
X.XXX	±0.15						Drawing No.
Angle	±3°						rev00
							Replace
							Sheet



1 2 3 4 5 6 7